



Selection and Ordering..... 1.2

T-Handle Pins  
Aluminum Handle..... 1.4-1.5  
Stainless Handle ..... 1.12-1.13

L-Handle Pins  
Aluminum Handle..... 1.6-1.7  
Stainless Handle ..... 1.12-1.13

Button Handle Pins  
Aluminum Handle..... 1.8-1.9  
Stainless Handle ..... 1.14-1.15  
Recessed Stainless ..... 1.3

Ring Handle Pins  
Stainless Steel ..... 1.10-1.11

Kwik-Lok™ Lifting Pins  
Stainless Steel ..... 1.16-1.17

Double Acting Pin  
T, L & Ring ..... 1.18-1.19

Detent Pins ..... 1.20-1.21

Lanyards ..... 1.22-1.23

Application Information ..... 1.26

Special Pin Quotation ..... 1.21

Specifications and Materials..... 1.24-1.25

## Kwik-Lok™ Pins – Selection and Ordering

### 1. Choose Handle Shape and Style:

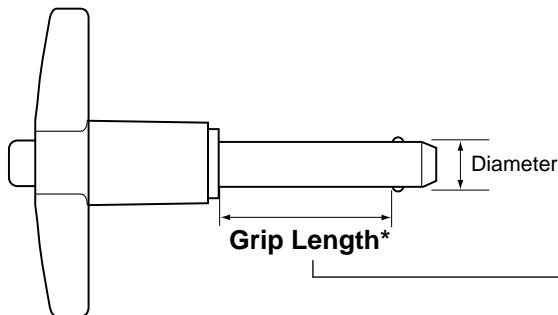
T, L, or Button	Aluminum
Heavy Duty T, L, or Button	Stainless Steel
Ring Handle, Lifting Ring, or Recessed Button	Stainless Steel
Double Acting (Push/Pull) T or L	Stainless Steel

### Material

Aluminum
Stainless Steel
Stainless Steel
Stainless Steel

### 2. Select Pin Body Material

- 17-4-PH heat treated Stainless Steel for highest strength, corrosion and scratch resistance
- Alloy Steel heat treated and cadmium plating to military specifications



\*Grip Length is measured to edge of locking ball  
Standard Grip Lengths: 1/2"-6", 10-100 mm  
Special Grip Lengths available on request

### 3. Specify Pin Diameter and Grip Length

Standard Kwik-Lok™ Pin Diameters			Double Shear Resistance (Minimum)			
			Stainless Steel (17-4 PH)		Alloy Steel (Cadmium Plated)	
Nominal	Min/Max (Inches)	Min/Max (mm)	lbs	kN	lbs	kN
3/16"	0.1870 / 0.1885	4.75 / 4.79	5150	23	4600	20
5 mm	0.1937 / 0.1953	4.92 / 4.96	5395	24	4721	21
6 mm	0.2331 / 0.2346	5.92 / 5.96	7868	35	6969	31
1/4"	0.2470 / 0.2485	6.27 / 6.31	9200	41	8200	36
5/16"	0.3095 / 0.3110	7.86 / 7.90	14400	64	12800	57
8 mm	0.3118 / 0.3134	7.92 / 7.96	14695	65	13062	58
3/8"	0.3720 / 0.3735	9.45 / 9.49	20700	92	18400	82
10 mm	0.3906 / 0.3921	9.92 / 9.96	22480	100	19782	88
7/16"	0.4345 / 0.4360	11.04 / 11.07	28500	127	25000	111
12 mm	0.4693 / 0.4709	11.92 / 11.96	32371	144	28774	128
1/2"	0.4970 / 0.4985	12.62 / 12.66	36900	164	32800	146
9/16"	0.5595 / 0.5610	14.21 / 14.25	46700	208	41600	185
5/8"	0.6220 / 0.6235	15.80 / 15.84	57800	257	51400	229
16 mm	0.6268 / 0.6283	15.92 / 15.96	57774	257	51479	229
3/4"	0.7470 / 0.7485	18.97 / 19.01	83200	370	74600	332
20 mm	0.7843 / 0.7858	19.92 / 19.96	90594	403	57998	258
7/8"	0.8720 / 0.8735	22.15 / 22.19	112500	500	100000	445
25 mm	0.9811 / 0.9827	24.92 / 24.96	141849	631	126113	561
1"	0.9970 / 0.9985	25.32 / 25.36	147200	655	131000	583

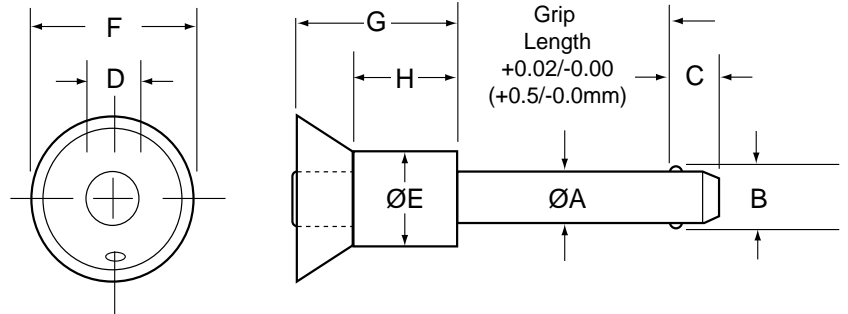
See Page 1.24 for recommended mounting hole diameters and minimum locking ball tensile strength for estimating pullout resistance.

### 4. Locate Standard Part Numbers from Charts by Diameter and Grip Length.

### 5. Select Lanyards and Tabs on pages 1.22-1.23:

- Specify Length of Cable (Stainless Steel) with Green Nylon Jacket (other colors available)
- Choose Tab Style, Material and Mounting Hole Dimension
- Specify if Lanyard is to be crimped to Pin without Split Ring

## Recessed Button Handle Kwik-Lok™ Pin



### Recessed Button Handle Specifications - Inch

Nom Pin Dia	ØA		+/-0.005 B	+0.00/-0.04 C	Button Dia. D	E	F	G	H
	Min	Max							
3/16 (#10)	.1870	.1885	.220	.260	1/4	15/32	13/16	1"	23/32
1/4	.2470	.2485	.289	.290	1/4	15/32	13/16	1"	23/32
5/16	.3095	.3110	.375	.330	1/4	15/32	13/16	1"	23/32
3/8	.3720	.3735	.440	.365	5/16	1/2	1 3/32	1 5/16	7/8
7/16	.4345	.4360	.509	.380	5/16	1/2	1 3/32	1 5/16	7/8
1/2	.4970	.4985	.594	.460	7/16	5/8	1 1/16	1 3/16	13/16

- The Recessed Button Handle Kwik-Lok™ Pin design helps prevent accidental actuation of the pin.
- Handle is stainless steel and the button is stainless steel.
- Body is made from high Strength Stainless Steel, 17-4 PH heat treated.
- Includes hole for easy attachment of optional lanyard or ring.

### Recessed Button Handle Specifications - Metric

Nom Pin Dia	ØA		+/-0.25 B	+0.01/-1.0 C	Button Dia. D	E	F	G	H
	Min	Max							
5	4.92	4.96	5.54	6	6.5	11.6	20	25	18
6	5.92	5.96	6.99	7	6.5	11.6	20	25	18
8	7.92	7.96	9.42	8	6.5	11.6	20	25	18
10	9.92	9.96	11.86	9	8.1	12.7	28	33	22
12	11.92	11.96	14.45	10	10.1	15.9	28	33	22

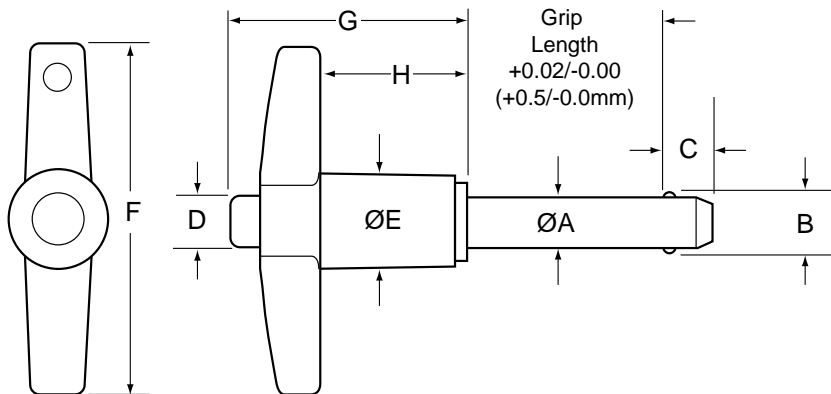
Pin Dia	Grip Length (Inches)												
	0.5	0.75	1	1.25	1.5	1.75	2	2.5	3*	4*	5*	6	
PART NUMBERS	3/16	803000	803001	803002	803003	803004	803005	803006	803008	803009	803011	803013	803015
	1/4	803016	803017	803018	803019	803020	803021	803022	803024	803025	803027	803029	803031
	5/16	803032	803033	803034	803035	803036	803037	803038	803040	803041	803043	803045	803047
	3/8	803048	803049	803050	803051	803052	803053	803054	803056	803057	803059	803061	803063
	7/16	803064	803065	803066	803067	803068	803069	803070	803072	803073	803075	803077	803079
	1/2	803080	803081	803082	803083	803084	803085	803086	803088	803089	803091	803093	803095

Contact customer service for other sizes.

Pin Dia	Grip Length (Metric)												
	10	15	20	25	30	40	50	60	70	80	90	100	
PART NUMBERS	5	853000	853001	853002	853003	853004	853005	853006	853007	853008	853009	853010	853011
	6	853012	853013	853014	853015	853016	853017	853018	853019	853020	853021	853022	853023
	8	853024	853025	853026	853027	853028	853029	853030	853031	853032	853033	853034	853035
	10	853036	853037	853038	853039	853040	853041	853042	853043	853044	853045	853046	853047
	12	853048	853049	853050	853051	853052	853053	853054	853055	853056	853057	853058	853059

Contact customer service for other sizes.

## T-Handle Kwik-Lok™ Pin MS17985



### T-Handle Specifications - Inch

Nom Pin Dia	ØA		±0.005 B	+0.00/-0.04 C	D	E	F	G	H
	Min	Max							
3/16 (#10)	.1870	.1885	.220	.260	1/4	1/2	1 13/16	1 1/4	3/4
1/4	.2470	.2485	.289	.290	1/4	1/2	1 13/16	1 1/4	3/4
5/16	.3095	.3110	.375	.330	1/4	1/2	1 13/16	1 1/4	3/4
3/8	.3720	.3735	.440	.365	5/16	19/32	2	1 7/16	15/16
7/16	.4345	.4360	.509	.380	5/16	19/32	2	1 7/16	15/16
1/2	.4970	.4985	.594	.460	15/32	3/4	2	1 5/8	1
9/16	.5595	.5610	.666	.510	15/32	3/4	2 3/8	1 5/8	1
5/8	.6220	.6235	.750	.580	9/16	15/16	3 1/8	1 31/32	1 3/16
3/4	.7470	.7485	.887	.670	5/8	15/16	3 1/8	1 31/32	1 3/16
7/8	.8720	.8735	1.046	.760	3/4	1 1/4	3 1/2	2 1/4	1 11/32
1	.9970	.9985	1.209	.890	3/4	1 1/4	3 1/2	2 1/4	1 11/32

- The T-Handle Kwik-Lok™ Pin provides a firm, even grip for smooth comfortable operation.
- Handle is black cast aluminum and the button is blue anodized aluminum.
- Pin body available in:
  - Heat Treated 17-4 PH Stainless Steel
  - or Heat Treated Alloy Steel, Cadmium plated.
- Includes hole and split ring for easy attachment of optional lanyard.

### T-Handle Specifications - Metric

Nom Pin Dia	ØA		±0.25 B	+0.0/-1.0 C	D	E	F	G	H
	Min	Max							
5	4.92	4.96	5.54	6	6.5	13.1	46.1	31.3	19.7
6	5.92	5.96	6.99	7	6.5	13.1	46.1	31.3	19.7
8	7.92	7.96	9.42	8	6.5	13.1	46.1	31.3	19.7
10	9.92	9.96	11.86	9	7.7	15.0	51.1	36.1	24.0
12	11.92	11.96	14.45	10	11.1	19.1	59.7	41.9	25.8
16	15.92	15.96	19.00	14	14.5	23.9	78.7	43.0	27.0
20	19.92	19.96	24.08	17	26.2	23.9	78.7	43.0	27.0
25	24.92	24.96	30.94	22	26.2	32.0	88.9	55.9	33.9

Dimensions in millimeters

**T-Handle - Inch**

Pin Dia	Grip Length (inches)												
	0.5	0.75	1	1.25	1.5	1.75	2	2.5	3	4	5	6	
<b>Stainless Steel - High Strength Stainless Steel, 17-4 PH heat treated</b>													
PART	3/16	801000	801001	801002	801003	801004	801005	801006	801008	801009	801011	801013	801015
	1/4	801016	801017	801018	801019	801020	801021	801022	801024	801025	801027	801029	801031
	5/16	801032	801033	801034	801035	801036	801037	801038	801040	801041	801043	801045	801047
	3/8	801048	801049	801050	801051	801052	801053	801054	801056	801057	801059	801061	801063
	7/16	801064	801065	801066	801067	801068	801069	801070	801072	801073	801075	801077	801079
	1/2	801080	801081	801082	801083	801084	801085	801086	801088	801089	801091	801093	801095
	9/16	801096	801097	801098	801099	801100	801101	801102	801104	801105	801107	801109	801111
	5/8	801112	801113	801114	801115	801116	801117	801118	801120	801121	801123	801125	801127
	3/4	801128	801129	801130	801131	801132	801133	801134	801136	801137	801139	801141	801143
UNUS	7/8	801144	801145	801146	801147	801148	801149	801150	801152	801153	801155	801157	801159
	1	801160	801161	801162	801163	801164	801165	801166	801168	801169	801171	801173	801175
	Alloy Steel - High Strength Alloy Steel, 4130 heat treated and cadmium plated, yellow trivalent chromium passivation												
MBS	3/16	800800	800801	800802	800803	800804	800805	800806	800808	800809	-	-	-
	1/4	800816	800817	800818	800819	800820	800821	800822	800824	800825	800827	800829	800831
	5/16	800832	800833	800834	800835	800836	800837	800838	800840	800841	800843	800845	800847
	3/8	800848	800849	800850	800851	800852	800853	800854	800856	800857	800859	800861	800863
	7/16	800864	800865	800866	800867	800868	800869	800870	800872	800873	800875	800877	800879
	1/2	800880	800881	800882	800883	800884	800885	800886	800888	800889	800891	800893	800895
	9/16	800896	800897	800898	800899	800900	800901	800902	800904	800905	800907	800909	800911
	5/8	800912	800913	800914	800915	800916	800917	800918	800920	800921	800923	800925	800927
	3/4	800928	800929	800930	800931	800932	800933	800934	800936	800937	800939	800941	800943
	7/8	800944	800945	800946	800947	800948	800949	800950	800952	800953	800955	800957	800959
	1	800960	800961	800962	800963	800964	800965	800966	800968	800969	800971	800973	800975

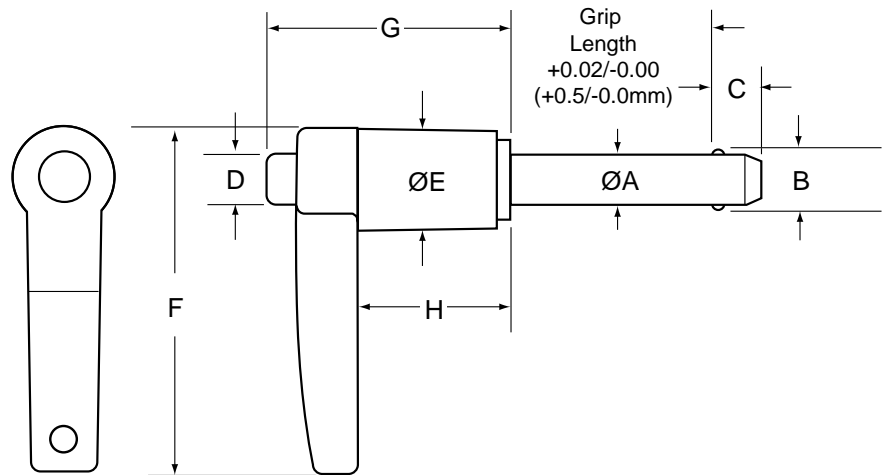
Contact customer service for other sizes. Includes attachment ring.

**T-Handle - Metric**

Pin Dia	Grip Length (mm)												
	10	15	20	25	30	40	50	60	70	80	90	100	
<b>Stainless Steel - High Strength Stainless Steel, 17-4 PH heat treated</b>													
PART	5	851000	851001	851002	851003	851004	851005	851006	851007	851008	851009	851010	851011
	6	851012	851013	851014	851015	851016	851017	851018	851019	851020	851021	851022	851023
	8	851024	851025	851026	851027	851028	851029	851030	851031	851032	851033	851034	851035
	10	851036	851037	851038	851039	851040	851041	851042	851043	851044	851045	851046	851047
	12	851048	851049	851050	851051	851052	851053	851054	851055	851056	851057	851058	851059
	16	851060	851061	851062	851063	851064	851065	851066	851067	851068	851069	851070	851071
	20	851072	851073	851074	851075	851076	851077	851078	851079	851080	851081	851082	851083
UNUS	25	851084	851085	851086	851087	851088	851089	851090	851091	851092	851093	851094	851095
	Alloy Steel - High Strength Alloy Steel, 4130 heat treated and cadmium plated, yellow trivalent chromium passivation												
MBS	5	850800	850801	850802	850803	850804	850805	850806	850807	850808	850809	850810	850811
	6	850812	850813	850814	850815	850816	850817	850818	850819	850820	850821	850822	850823
	8	850824	850825	850826	850827	850828	850829	850830	850831	850832	850833	850834	850835
	10	850836	850837	850838	850839	850840	850841	850842	850843	850844	850845	850846	850847
	12	850848	850849	850850	850851	850852	850853	850854	850855	850856	850857	850858	850859
	16	850860	850861	850862	850863	850864	850865	850866	850867	850868	850869	850870	850871
	20	850872	850873	850874	850875	850876	850877	850878	850879	850880	850881	850882	850883
	25	850884	850885	850886	850887	850888	850889	850890	850891	850892	850893	850894	850895

Contact customer service for other metric sizes. Includes attachment ring.

## L-Handle Kwik-Lok™ Pin MS17986



### L-Handle Specifications - Inch

Nom Pin Dia	ØA		±0.005 B	+0.00/-0.04 C	D	E	F	G	H
	Min	Max							
3/16 (#10)	.1870	.1885	.220	.260	1/4	1/2	1 3/4	1 1/4	3/4
1/4	.2470	.2485	.289	.290	1/4	1/2	1 3/4	1 1/4	3/4
5/16	.3095	.3110	.375	.330	1/4	1/2	1 3/4	1 1/4	3/4
3/8	.3720	.3735	.440	.365	5/16	19/32	2	1 7/16	15/16
7/16	.4345	.4360	.509	.380	5/16	19/32	2	1 7/16	15/16
1/2	.4970	.4985	.594	.460	15/32	3/4	2 1/4	1 5/8	1
9/16	.5595	.5610	.666	.510	15/32	3/4	2 1/4	1 5/8	1
5/8	.6220	.6235	.750	.580	9/16	15/16	2 1/2	1 31/32	1 3/16
3/4	.7470	.7485	.887	.670	5/8	15/16	2 1/2	1 31/32	1 3/16
7/8	.8720	.8735	1.046	.760	3/4	1 1/4	3 1/4	2 1/4	1 11/32
1	.9970	.9985	1.209	.890	3/4	1 1/4	3 1/4	2 1/4	1 11/32

- The L-Handle Kwik-Lok™ Pin provides a firm grip for applications where a T-Handle will not fit.
- Handle is black cast aluminum and the button is blue anodized aluminum.
- Pin body available in: Heat Treated 17-4 PH Stainless Steel or Heat Treated Alloy Steel, Cadmium plated.
- Includes hole and split ring for easy attachment of optional lanyard.

### L-Handle Specifications - Metric

Nom Pin Dia	ØA		±0.25 B	+0.0/-1.0 C	D	E	F	G	H
	Min	Max							
5	4.92	4.96	5.54	6	6.5	13.1	44.9	31.3	19.7
6	5.92	5.96	6.99	7	6.5	13.1	44.9	31.3	19.7
8	7.92	7.96	9.42	8	6.5	13.1	44.9	31.3	19.7
10	9.92	9.96	11.86	9	7.7	15.1	50.8	36.1	24.0
12	11.92	11.96	14.45	10	11.1	19.1	57.2	41.9	25.8
16	15.92	15.96	19.00	14	14.5	23.9	63.0	43.0	27.0
20	19.92	19.96	24.08	17	26.2	23.9	63.0	43.0	27.0
25	24.92	24.96	30.94	22	26.2	32.4	82.6	55.9	33.9

Dimensions in millimeters

**L-Handle - Inch**

Pin Dia	Grip Length (inches)												
	0.5	0.75	1	1.25	1.5	1.75	2	2.5	3	4	5	6	
<b>Stainless Steel - High Strength Stainless Steel, 17-4 PH heat treated</b>													
PARTS	3/16	801400	801401	801402	801403	801404	801405	801406	801408	801409	801411	801413	801415
	1/4	801416	801417	801418	801419	801420	801421	801422	801424	801425	801427	801429	801431
	5/16	801432	801433	801434	801435	801436	801437	801438	801440	801441	801443	801445	801447
	3/8	801448	801449	801450	801451	801452	801453	801454	801456	801457	801459	801461	801463
	7/16	801464	801465	801466	801467	801468	801469	801470	801472	801473	801475	801477	801479
	1/2	801480	801481	801482	801483	801484	801485	801486	801488	801489	801491	801493	801495
	9/16	801496	801497	801498	801499	801500	801501	801502	801504	801505	801507	801509	801511
	5/8	801512	801513	801514	801515	801516	801517	801518	801520	801521	801523	801525	801527
	3/4	801528	801529	801530	801531	801532	801533	801534	801536	801537	801539	801541	801543
UNIFORM	7/8	801544	801545	801546	801547	801548	801549	801550	801552	801553	801555	801557	801559
	1	801560	801561	801562	801563	801564	801565	801566	801568	801569	801571	801573	801575
	<b>Alloy Steel - High Strength Alloy Steel, 4130 heat treated and cadmium plated, yellow trivalent chromium passivation</b>												
	3/16	801200	801201	801202	801203	801204	801205	801206	801208	801209	-	-	-
	1/4	801216	801217	801218	801219	801220	801221	801222	801224	801225	801227	801229	801231
	5/16	801232	801233	801234	801235	801236	801237	801238	801240	801241	801243	801245	801247
	3/8	801248	801249	801250	801251	801252	801253	801254	801256	801257	801259	801261	801263
	7/16	801264	801265	801266	801267	801268	801269	801270	801272	801273	801275	801277	801279
	1/2	801280	801281	801282	801283	801284	801285	801286	801288	801289	801291	801293	801295
9/16	801296	801297	801298	801299	801300	801301	801302	801304	801305	801307	801309	801311	
UNIFORM	5/8	801312	801313	801314	801315	801316	801317	801318	801320	801321	801323	801325	801327
	3/4	801328	801329	801330	801331	801332	801333	801334	801336	801337	801339	801341	801343
	7/8	801344	801345	801346	801347	801348	801349	801350	801352	801353	801355	801357	801359
	1	801360	801361	801362	801363	801364	801365	801366	801368	801369	801371	801373	801375

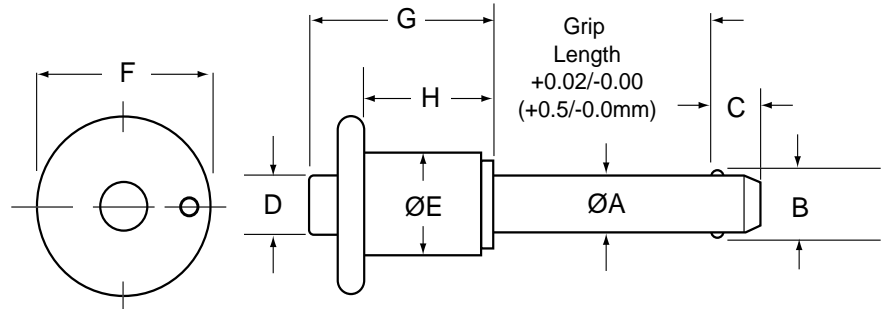
Contact customer service for other sizes. Includes attachment ring.

**L-Handle - Metric**

Pin Dia	Grip Length (mm)												
	10	15	20	25	30	40	50	60	70	80	90	100	
<b>Stainless Steel - High Strength Stainless Steel, 17-4 PH heat treated</b>													
PARTS	5	851400	851401	851402	851403	851404	851405	851406	851407	851408	851409	851410	851411
	6	851412	851413	851414	851415	851416	851417	851418	851419	851420	851421	851422	851423
	8	851424	851425	851426	851427	851428	851429	851430	851431	851432	851433	851434	851435
	10	851436	851437	851438	851439	851440	851441	851442	851443	851444	851445	851446	851447
	12	851448	851449	851450	851451	851452	851453	851454	851455	851456	851457	851458	851459
	16	851460	851461	851462	851463	851464	851465	851466	851467	851468	851469	851470	851471
UNIFORM	20	851472	851473	851474	851475	851476	851477	851478	851479	851480	851481	851482	851483
	25	851484	851485	851486	851487	851488	851489	851490	851491	851492	851493	851494	851495
	<b>Alloy Steel - High Strength Alloy Steel, 4130 heat treated and cadmium plated, yellow trivalent chromium passivation</b>												
	5	851200	851201	851202	851203	851204	851205	851206	851207	851208	851209	851210	851211
	6	851212	851213	851214	851215	851216	851217	851218	851219	851220	851221	851222	851223
	8	851224	851225	851226	851227	851228	851229	851230	851231	851232	851233	851234	851235
10	851236	851237	851238	851239	851240	851241	851242	851243	851244	851245	851246	851247	
UNIFORM	12	851248	851249	851250	851251	851252	851253	851254	851255	851256	851257	851258	851259
	16	851260	851261	851262	851263	851264	851265	851266	851267	851268	851269	851270	851271
	20	851272	851273	851274	851275	851276	851277	851278	851279	851280	851281	851282	851283
	25	851284	851285	851286	851287	851288	851289	851290	851291	851292	851293	851294	851295

Contact customer service for other metric sizes. Includes attachment ring.

## Button Handle Kwik-Lok™ Pin MS17984



### Button Handle Specifications - Inch

Nom Pin Dia	ØA		+/-0.005 B	+0.00/-0.04 C	D	E	F	G	H
	Min	Max							
3/16 (#10)	.1870	.1885	.220	.260	1/4	7/16	13/16	13/16	5/8
1/4	.2470	.2485	.289	.290	1/4	7/16	13/16	7/8	5/8
5/16	.3095	.3110	.375	.330	1/4	7/16	7/8	29/32	5/8
3/8	.3720	.3735	.440	.365	5/16	9/16	1 1/8	1 1/32	3/4
7/16	.4345	.4360	.509	.380	5/16	9/16	1 1/8	1 3/32	3/4
1/2	.4970	.4985	.594	.460	7/16	23/32	1 3/8	1 3/16	13/16
9/16	.5595	.5610	.666	.510	7/16	23/32	1 3/8	1 3/8	1
5/8	.6220	.6235	.750	.580	37/64	27/32	1 5/8	1 1/2	1 1/16
3/4	.7470	.7485	.887	.670	37/64	15/16	1 7/8	1 21/32	1 5/32
7/8	.8720	.8735	1.046	.760	3/4	1 1/8	2 3/16	1 31/32	1 1/2
1	.9970	.9985	1.219	.890	3/4	1 3/16	2 3/16	2 1/8	1 1/2

- The Button Handle Kwik-Lok™ Pin is ideal for applications that have limited space around the handle.
- Light weight black anodized aluminum handle with blue anodized aluminum button.
- Pin body available in:  
Heat Treated 17-4 PH Stainless Steel  
or Heat Treated Alloy Steel, Cadmium plated.
- Includes hole and split ring for easy attachment of optional lanyard.

### Button Handle Specifications - Metric

Nom Pin Dia	ØA		+/-0.25 B	+0.0/-1.0 C	D	E	F	G	H
	Min	Max							
5	4.92	4.96	5.54	6	6.4	11.1	20.6	20.6	15.9
6	5.92	5.96	6.99	7	6.4	11.1	20.6	22.2	15.9
8	7.92	7.96	9.42	8	6.4	11.1	22.2	23.0	15.9
10	9.92	9.96	11.86	9	7.9	14.3	28.6	27.8	19.1
12	11.92	11.96	14.45	10	11.1	18.3	34.9	34.9	25.4
16	15.92	15.96	19.00	14	14.7	21.4	41.3	38.1	27.0
20	19.92	19.96	24.08	17	14.7	23.8	47.6	42.1	29.4
25	24.92	24.96	30.94	22	19.1	30.2	55.6	54.0	38.1

Dimensions in millimeters



**Button Handle - Inch**

Pin Dia	Grip Length (inches)												
	0.5	0.75	1	1.25	1.5	1.75	2	2.5	3	4	5	6	
<b>P A R T N U M B E R S</b>	<b>Stainless Steel - High Strength Stainless Steel, 17-4 PH heat treated</b>												
	3/16	800600	800601	800602	800603	800604	800605	800606	800608	800609	800611	800613	800615
	1/4	800616	800617	800618	800619	800620	800621	800622	800624	800625	800627	800629	800631
	5/16	800632	800633	800634	800635	800636	800637	800638	800640	800641	800643	800645	800647
	3/8	800648	800649	800650	800651	800652	800653	800654	800656	800657	800659	800661	800663
	7/16	800664	800665	800666	800667	800668	800669	800670	800672	800673	800675	800677	800679
	1/2	800680	800681	800682	800683	800684	800685	800686	800688	800689	800691	800693	800695
	9/16	800696	800697	800698	800699	800700	800701	800702	800704	800705	800707	800709	800711
	5/8	800712	800713	800714	800715	800716	800717	800718	800720	800721	800723	800725	800727
	3/4	800728	800729	800730	800731	800732	800733	800734	800736	800737	800739	800741	800743
	7/8	800744	800745	800746	800747	800748	800749	800750	800752	800753	800755	800757	800759
	1	800760	800761	800762	800763	800764	800765	800766	800768	800769	800771	800773	800775
	<b>Alloy Steel - High Strength Alloy Steel, 4130 heat treated and cadmium plated, yellow trivalent chromium passivation</b>												
	3/16	800400	800401	800402	800403	800404	800405	800406	800408	800409	-	-	-
	1/4	800416	800417	800418	800419	800420	800421	800422	800424	800425	800427	800429	800431
	5/16	800432	800433	800434	800435	800436	800437	800438	800440	800441	800443	800445	800447
	3/8	800448	800449	800450	800451	800452	800453	800454	800456	800457	800459	800461	800463
	7/16	800464	800465	800466	800467	800468	800469	800470	800472	800473	800475	800477	800479
	1/2	800480	800481	800482	800483	800484	800485	800486	800488	800489	800491	800493	800495
9/16	800496	800497	800498	800499	800500	800501	800502	800504	800505	800507	800509	800511	
5/8	800512	800513	800514	800515	800516	800517	800518	800520	800521	800523	800525	800527	
3/4	800528	800529	800530	800531	800532	800533	800534	800536	800537	800539	800541	800543	
7/8	800544	800545	800546	800547	800548	800549	800550	800552	800553	800555	800557	800559	
1	800560	800561	800562	800563	800564	800565	800566	800568	800569	800571	800573	800575	

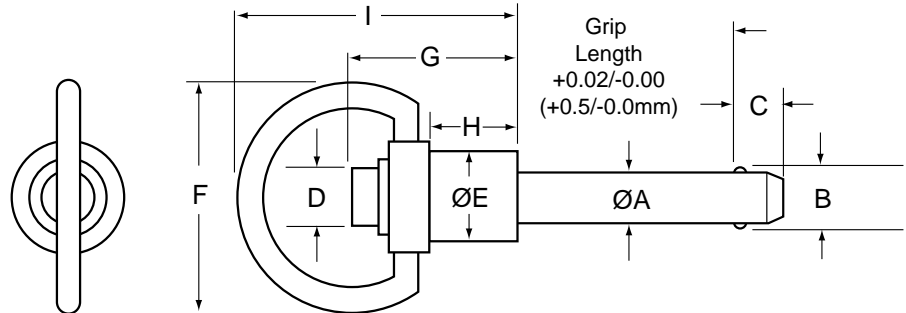
Contact customer service for other sizes. Includes attachment ring.

**Button Handle - Metric**

Pin Dia	Grip Length (mm)												
	10	15	20	25	30	40	50	60	70	80	90	100	
<b>P A R T N U M B E R S</b>	<b>Stainless Steel - High Strength Stainless Steel, 17-4 PH heat treated</b>												
	5	850600	850601	850602	850603	850604	850605	850606	850607	850608	850609	850610	850611
	6	850612	850613	850614	850615	850616	850617	850618	850619	850620	850621	850622	850623
	8	850624	850625	850626	850627	850628	850629	850630	850631	850632	850633	850634	850635
	10	850636	850637	850638	850639	850640	850641	850642	850643	850644	850645	850646	850647
	12	850648	850649	850650	850651	850652	850653	850654	850655	850656	850657	850658	850659
	16	850660	850661	850662	850663	850664	850665	850666	850667	850668	850669	850670	850671
	20	850672	850673	850674	850675	850676	850677	850678	850679	850680	850681	850682	850683
	25	850684	850685	850686	850687	850688	850689	850690	850691	850692	850693	850694	850695
	<b>Alloy Steel - High Strength Alloy Steel, 4130 heat treated and cadmium plated, yellow trivalent chromium passivation</b>												
	5	850400	850401	850402	850403	850404	850405	850406	850407	850408	850409	850410	850411
	6	850412	850413	850414	850415	850416	850417	850418	850419	850420	850421	850422	850423
	8	850424	850425	850426	850427	850428	850429	850430	850431	850432	850433	850434	850435
10	850436	850437	850438	850439	850440	850441	850442	850443	850444	850445	850446	850447	
12	850448	850449	850450	850451	850452	850453	850454	850455	850456	850457	850458	850459	
16	850460	850461	850462	850463	850464	850465	850466	850467	850468	850469	850470	850471	
20	850472	850473	850474	850475	850476	850477	850478	850479	850480	850481	850482	850483	
25	850484	850485	850486	850487	850488	850489	850490	850491	850492	850493	850494	850495	

Contact customer service for other metric sizes. Includes attachment ring.

## Ring-Handle Kwik-Lok™ Pin MS17987



### Ring-Handle Specifications - Inch

Nom Pin Dia	ØA		+/-0.005 B	+0.00/ -0.04 C	D	E	F	G	H	I
	Min	Max								
3/16 (#10)	.1870	.1885	.220	.260	1/4	7/16	1 1/8	13/16	29/64	1 11/32
1/4	.2470	.2485	.289	.290	1/4	7/16	1 1/8	13/16	29/64	1 11/32
5/16	.3095	.3110	.375	.330	1/4	7/16	1 1/8	27/32	29/64	1 11/32
3/8	.3720	.3735	.440	.365	5/16	9/16	1 1/8	1	19/32	1 1/2
7/16	.4345	.4360	.509	.380	5/16	9/16	1 1/8	1	19/32	1 1/2
1/2	.4970	.4985	.594	.460	7/16	11/16	1 3/8	1 1/4	5/8	1 7/8
9/16	.5595	.5610	.666	.510	7/16	11/16	1 3/8	1 1/4	11/16	1 7/8
5/8	.6220	.6235	.750	.580	1/2	15/16	1 5/8	1 11/16	7/8	2 7/16
3/4	.7470	.7485	.887	.670	9/16	15/16	1 5/8	1 13/16	1 1/16	2 7/16
7/8	.8720	.8735	1.046	.760	3/4	1 3/16	1 3/4	2 3/16	1 13/32	2 29/32
1	.9970	.9985	1.219	.890	3/4	1 3/16	1 3/4	2 1/8	1 13/32	2 29/32

- The Ring-Handle Kwik-Lok™ Pin is designed for applications which require small clearance area around the pin.
- Stainless steel handle for tough environment with blue anodized aluminum button (steel shanks), or stainless button (stainless steel shanks).
- Pin body available in:  
Heat Treated 17-4 PH Stainless Steel or Heat Treated Alloy Steel, Cadmium plated.
- Ring allows for easy attachment of optional lanyard.

### Ring-Handle Specifications - Metric

Nom Pin Dia	ØA		+/-0.25 B	+0.0/ -1.0 C	D	E	F	G	H	I
	Min	Max								
5	4.92	4.96	5.54	6	6.5	10.8	28.0	21.0	11.5	34.1
6	5.92	5.96	6.99	7	6.5	10.8	28.0	21.0	11.5	34.1
8	7.92	7.96	9.42	8	6.5	10.8	28.0	22.0	11.5	34.1
10	9.92	9.96	11.86	9	7.7	14.2	28.0	25.0	15.1	38.0
12	11.92	11.96	14.45	10	10.1	17.2	35.2	28.6	15.9	46.0
16	15.92	15.96	19.00	14	12.4	23.9	41.9	37.0	22.2	56.0
20	19.92	19.96	24.08	17	14.6	23.9	41.9	46.0	27.0	61.6
25	24.92	24.96	30.94	22	19.2	30.0	45.0	55.6	35.7	72.4

Dimensions in millimeters

**Ring-Handle - Inch**

Pin Dia	Grip Length (inches)												
	0.5	0.75	1	1.25	1.5	1.75	2	2.5	3	4	5	6	
<b>Stainless Steel - High Strength Stainless Steel, 17-4 PH heat treated</b>													
PARTS	3/16	800200	800201	800202	800203	800204	800205	800206	800208	800209	800211	800213	800215
	1/4	800216	800217	800218	800219	800220	800221	800222	800224	800225	800227	800229	800231
	5/16	800232	800233	800234	800235	800236	800237	800238	800240	800241	800243	800245	800247
	3/8	800248	800249	800250	800251	800252	800253	800254	800256	800257	800259	800261	800263
	7/16	800264	800265	800266	800267	800268	800269	800270	800272	800273	800275	800277	800279
	1/2	800280	800281	800282	800283	800284	800285	800286	800288	800289	800291	800293	800295
	9/16	800296	800297	800298	800299	800300	800301	800302	800304	800305	800307	800309	800311
	5/8	800312	800313	800314	800315	800316	800317	800318	800320	800321	800323	800325	800327
	3/4	800328	800329	800330	800331	800332	800333	800334	800336	800337	800339	800341	800343
	7/8	800344	800345	800346	800347	800348	800349	800350	800352	800353	800355	800357	800359
1	800360	800361	800362	800363	800364	800365	800366	800368	800369	800371	800373	800375	
<b>Alloy Steel - High Strength Alloy Steel, 4130 heat treated and cadmium plated, yellow trivalent chromium passivation</b>													
PARTS	3/16	800000	800001	800002	800003	800004	800005	800006	800008	800009	-	-	-
	1/4	800016	800017	800018	800019	800020	800021	800022	800024	800025	800027	800029	800031
	5/16	800032	800033	800034	800035	800036	800037	800038	800040	800041	800043	800045	800047
	3/8	800048	800049	800050	800051	800052	800053	800054	800056	800057	800059	800061	800063
	7/16	800064	800065	800066	800067	800068	800069	800070	800072	800073	800075	800077	800079
	1/2	800080	800081	800082	800083	800084	800085	800086	800088	800089	800091	800093	800095
	9/16	800096	800097	800098	800099	800100	800101	800102	800104	800105	800107	800109	800111
	5/8	800112	800113	800114	800115	800116	800117	800118	800120	800121	800123	800125	800127
	3/4	800128	800129	800130	800131	800132	800133	800134	800136	800137	800139	800141	800143
	7/8	800144	800145	800146	800147	800148	800149	800150	800152	800153	800155	800157	800159
1	800160	800161	800162	800163	800164	800165	800166	800168	800169	800171	800173	800175	

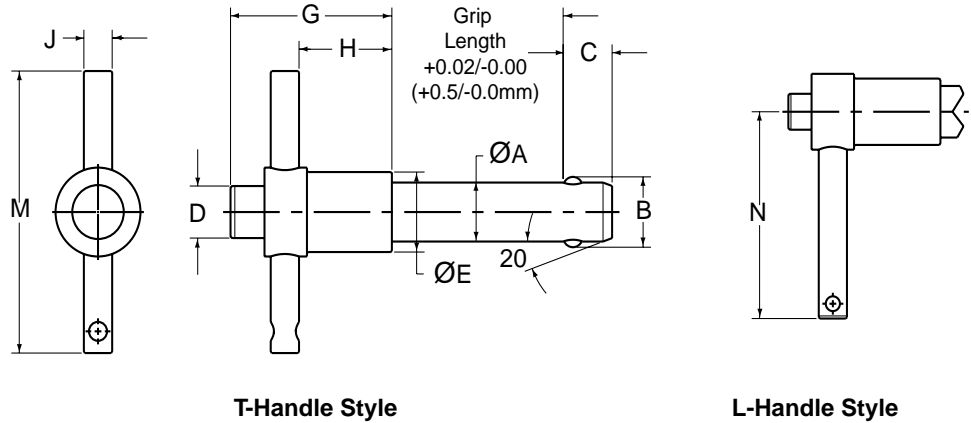
Contact customer service for other sizes.

**Ring-Handle - Metric**

Pin Dia	Grip Length (mm)												
	10	15	20	25	30	40	50	60	70	80	90	100	
<b>Stainless Steel - High Strength Stainless Steel, 17-4 PH heat treated</b>													
PARTS	5	850200	850201	850202	850203	850204	850205	850206	850207	850208	850209	850210	850211
	6	850212	850213	850214	850215	850216	850217	850218	850219	850220	850221	850222	850223
	8	850224	850225	850226	850227	850228	850229	850230	850231	850232	850233	850234	850235
	10	850236	850237	850238	850239	850240	850241	850242	850243	850244	850245	850246	850247
	12	850248	850249	850250	850251	850252	850253	850254	850255	850256	850257	850258	850259
	16	850260	850261	850262	850263	850264	850265	850266	850267	850268	850269	850270	850271
PARTS	20	850272	850273	850274	850275	850276	850277	850278	850279	850280	850281	850282	850283
	25	850284	850285	850286	850287	850288	850289	850290	850291	850292	850293	850294	850295
<b>Alloy Steel - High Strength Alloy Steel, 4130 heat treated and cadmium plated, yellow trivalent chromium passivation</b>													
PARTS	5	850000	850001	850002	850003	850004	850005	850006	850007	850008	850009	850010	850011
	6	850012	850013	850014	850015	850016	850017	850018	850019	850020	850021	850022	850023
	8	850024	850025	850026	850027	850028	850029	850030	850031	850032	850033	850034	850035
	10	850036	850037	850038	850039	850040	850041	850042	850043	850044	850045	850046	850047
	12	850048	850049	850050	850051	850052	850053	850054	850055	850056	850057	850058	850059
	16	850060	850061	850062	850063	850064	850065	850066	850067	850068	850069	850070	850071
	20	850072	850073	850074	850075	850076	850077	850078	850079	850080	850081	850082	850083
25	850084	850085	850086	850087	850088	850089	850090	850091	850092	850093	850094	850095	

Contact customer service for other metric sizes.

# Heavy Duty T&L Handle Pins



- Also known as Ground Handling Pins
- Heavy Duty welded handle provides additional impact resistance
- Includes split ring for easy attachment of optional lanyard.
- All stainless steel handle and button provide additional corrosion resistance

## Heavy Duty T&L Handle Specifications - Inch

Nom Pin Dia	Pin Dia A		±0.005 B	+0.00/-0.04 C	D	E	G	H	J	M	N
	Min	Max									
3/16 (#10)	.1870	.1885	.220	.260	1/4	7/16	1 1/4	13/16	3/16	1 15/16	1 3/4
1/4	.2470	.2485	.289	.290	1/4	7/16	1 1/4	13/16	3/16	1 15/16	1 3/4
5/16	.3095	.3110	.375	.330	1/4	7/16	1 1/4	13/16	3/16	1 15/16	1 3/4
3/8	.3720	.3735	.440	.365	5/16	9/16	1 11/32	13/16	1/4	1 15/16	1 3/4
7/16	.4345	.4360	.509	.380	5/16	9/16	1 11/32	13/16	1/4	2 1/8	1 3/4
1/2	.4970	.4985	.594	.460	7/16	11/16	1 7/16	13/16	1/4	2 3/8	1 31/32
9/16	.5595	.5610	.666	.510	7/16	11/16	1 7/16	13/16	1/4	2 3/8	1 31/32
5/8	.6220	.6235	.750	.580	1/2	15/16	1 11/16	31/32	5/16	2 7/8	2 15/32
3/4	.7470	.7485	.887	.670	37/64	15/16	1 23/32	31/32	5/16	2 7/8	2 15/32
7/8	.8720	.8735	1.046	.760	3/4	1 3/16	2 5/32	1 1/4	3/8	3 1/4	2 13/16
1	.9970	.9985	1.219	.890	3/4	1 3/16	2 5/32	1 1/4	3/8	3 1/4	2 13/16

## Heavy Duty T&L Handle Specifications - Metric

Nom Pin Dia	Pin Dia A		+/- 0.25 B	+0.0/- 1.0 C	D	E	G	H	J	M	N
	Min	Max									
5	4.92	4.96	5.54	6	6.5	10.8	31.7	20.4	4.76	49.5	44.5
6	5.92	5.96	6.99	7	6.5	10.8	31.7	20.4	4.76	49.5	44.5
8	7.92	7.96	9.40	8	6.5	10.8	31.7	20.4	4.76	49.5	44.5
10	9.92	9.96	11.86	9	7.7	14.2	34.1	21.0	6.35	49.5	44.5
12	11.92	11.96	14.45	10	7.7	14.2	34.2	21.0	6.35	54.1	50.0
16	15.92	15.96	19.00	14	12.4	23.9	42.6	24.6	7.94	73.2	62.7
20	19.92	19.96	24.08	17	12.4	23.9	42.6	24.9	7.94	73.2	62.7
25	24.92	24.96	30.94	22	19.2	30.0	53.4	30.2	9.53	82.3	71.0

Dimensions in millimeters

- Body is made from high Strength Stainless Steel, 17-4 PH heat treated.
- Meets or exceeds NASM 23460 specifications
- May be ordered with 4 locking balls for additional locking element tensile strength

**Heavy Duty T-Handle - Inch**

Pin Dia	Grip Length (inches)												
	0.5	0.75	1	1.25	1.5	1.75	2	2.5	3	4	5	6	
P A R T	3/16	802600	802601	802602	802603	802604	802605	802606	802608	802609	802611	802613	802615
	1/4	802616	802617	802618	802619	802620	802621	802622	802624	802625	802627	802629	802631
	5/16	802632	802633	802634	802635	802636	802637	802638	802640	802641	802643	802645	802647
	3/8	802648	802649	802650	802651	802652	802653	802654	802656	802657	802659	802661	802663
	7/16	802664	802665	802666	802667	802668	802669	802670	802672	802673	802675	802677	802679
	1/2	802680	802681	802682	802683	802684	802685	802686	802688	802689	802691	802693	802695
	9/16	802696	802697	802698	802699	802700	802701	802702	802704	802705	802707	802709	802711
	5/8	802712	802713	802714	802715	802716	802717	802718	802720	802721	802723	802725	802727
	3/4	802728	802729	802730	802731	802732	802733	802734	802736	802737	802739	802741	802743
	7/8	802744	802745	802746	802747	802748	802749	802750	802752	802753	802755	802757	802759
1	802760	802761	802762	802763	802764	802765	802766	802768	802769	802771	802773	802775	

**Heavy Duty L-Handle - Inch**

N U M B E R S	3/16	805600	805601	805602	805603	805604	805605	805606	805608	805609	805611	805613	805615
	1/4	805616	805617	805618	805619	805620	805621	805622	805624	805625	805627	805629	805631
	5/16	805632	805633	805634	805635	805636	805637	805638	805640	805641	805643	805645	805647
	3/8	805648	805649	805650	805651	805652	805653	805654	805656	805657	805659	805661	805663
	7/16	805664	805665	805666	805667	805668	805669	805670	805672	805673	805675	805677	805679
	1/2	805680	805681	805682	805683	805684	805685	805686	805688	805689	805691	805693	805695
	9/16	805696	805697	805698	805699	805700	805701	805702	805704	805705	805707	805709	805711
	5/8	805712	805713	805714	805715	805716	805717	805718	805720	805721	805723	805725	805727
	3/4	805728	805729	805730	805731	805732	805733	805734	805736	805737	805739	805741	805743
	7/8	805744	805745	805746	805747	805748	805749	805750	805752	805753	805755	805757	805759
1	805760	805761	805762	805763	805764	805765	805766	805768	805769	805771	805773	805775	

Contact customer service for other sizes. Includes attachment ring.

**Heavy Duty T-Handle - Metric**

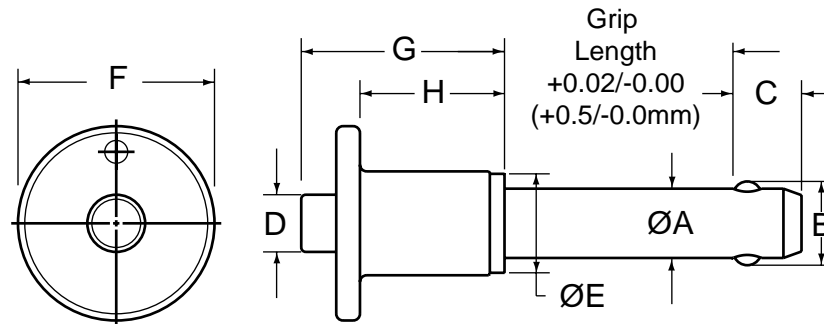
Pin Dia	Grip Length (mm)												
	10	15	20	25	30	40	50	60	70	80	90	100	
P A R T	5	852600	852601	852602	852603	852604	852605	852606	852607	852608	852609	852610	852611
	6	852612	852613	852614	852615	852616	852617	852618	852619	852620	852621	852622	852623
	8	852624	852625	852626	852627	852628	852629	852630	852631	852632	852633	852634	852635
	10	852636	852637	852638	852639	852640	852641	852642	852643	852644	852645	852646	852647
	12	852648	852649	852650	852651	852652	852653	852654	852655	852656	852657	852658	852659
	16	852660	852661	852662	852663	852664	852665	852666	852667	852668	852669	852670	852671
	20	852672	852673	852674	852675	852676	852677	852678	852679	852680	852681	852682	852683
	25	852684	852685	852686	852687	852688	852689	852690	852691	852692	852693	852694	852695

**Heavy Duty L-Handle - Metric**

N U M B E R S	5	854200	854201	854202	854203	854204	854205	854206	854207	854208	854209	854210	854211
	6	854212	854213	854214	854215	854216	854217	854218	854219	854220	854221	854222	854223
	8	854224	854225	854226	854227	854228	854229	854230	854231	854232	854233	854234	854235
	10	854236	854237	854238	854239	854240	854241	854242	854243	854244	854245	854246	854247
	12	854248	854249	854250	854251	854252	854253	854254	854255	854256	854257	854258	854259
	16	854260	854261	854262	854263	854264	854265	854266	854267	854268	854269	854270	854271
	20	854272	854273	854274	854275	854276	854277	854278	854279	854280	854281	854282	854283
	25	854284	854285	854286	854287	854288	854289	854290	854291	854292	854293	854294	854295

Contact customer service for other metric sizes. Includes attachment ring.

## Heavy Duty Button Handle Pin



Heavy Duty Button Handle

### Heavy Duty Button Handle Specifications - Inch

Nom Pin Dia	Pin Dia A		+/-0.005 B	+0.00/-0.04 C	D	E	F	G	H
	Min	Max							
3/16 (#10)	.1870	.1885	.220	.260	1/4	7/16	13/16	13/16	5/8
1/4	.2470	.2485	.289	.290	1/4	7/16	13/16	13/16	5/8
5/16	.3095	.3110	.375	.330	1/4	7/16	7/8	29/32	5/8
3/8	.3720	.3735	.440	.365	5/16	9/16	1 1/8	1 1/32	3/4
7/16	.4345	.4360	.509	.380	5/16	9/16	1 1/8	1 3/32	3/4
1/2	.4970	.4985	.594	.460	7/16	23/32	1 3/8	1 3/16	13/16
9/16	.5595	.5610	.666	.510	7/16	23/32	1 3/8	1 3/8	1
5/8	.6220	.6235	.750	.580	37/64	27/32	1 5/8	1 1/2	1 1/16
3/4	.7470	.7485	.887	.670	37/64	15/16	1 7/8	1 21/32	1 5/32
7/8	.8720	.8735	1.046	.760	3/4	1 1/8	2 3/16	1 31/32	1 1/2
1	.9970	.9985	1.219	.890	3/4	1 3/16	2 3/16	2 1/8	1 1/2

### Heavy Duty Button Handle Specifications - Metric

Nom Pin Dia	Pin Dia A		+/- 0.25 B	+0.0/- 1.0 C	D	E	F	G	H
	Min	Max							
5	4.92	4.96	5.54	6	6.4	11.1	20.6	20.6	15.9
6	5.92	5.96	6.99	7	6.4	11.1	20.6	20.6	15.9
8	7.92	7.96	9.42	8	6.4	11.1	22.2	23.0	15.9
10	9.92	9.96	11.86	9	7.9	14.3	28.6	27.8	19.1
12	11.92	11.96	14.45	10	11.1	18.3	34.9	34.9	25.4
16	15.92	15.96	19.00	14	14.7	21.4	41.3	38.1	27.0
20	19.92	19.96	24.08	17	14.7	23.8	47.6	42.1	29.4
25	24.92	24.96	30.94	22	19.1	30.2	55.6	54.0	38.1

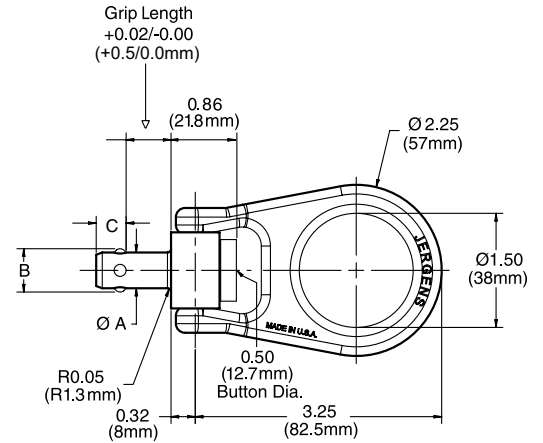
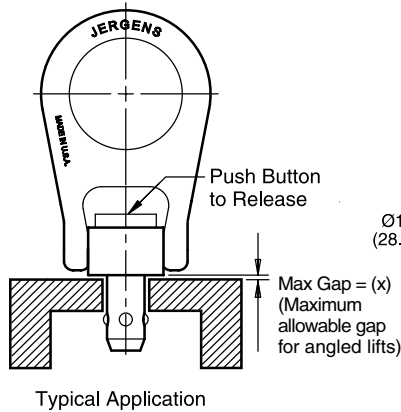
Dimensions in millimeters

- Heavy Duty solid handle in 303 series stainless steel provides additional impact resistance
- Includes hole and split ring for easy attachment of optional lanyard.
- All stainless steel construction provides additional corrosion resistance
- Body is made from high Strength Stainless Steel, 17-4 PH heat treated
- Meets or exceeds NASM 23460 specifications
- May be ordered with 4 locking balls for additional locking element tensile strength

Pin Dia	Grip Length (inches)											
	0.5	0.75	1	1.25	1.5	1.75	2	2.5	3	4	5	6
<b>Heavy Duty Button Handle - Inch</b>												
3/16	806400	806401	806402	806403	806404	806405	806406	806408	806409	806411	806413	806415
1/4	806416	806417	806418	806419	806420	806421	806422	806424	806425	806427	806429	806431
5/16	806432	806433	806434	806435	806436	806437	806438	806440	806441	806443	806445	806447
3/8	806448	806449	806450	806451	806452	806453	806454	806456	806457	806459	806461	806463
7/16	806464	806465	806466	806467	806468	806469	806470	806472	806473	806475	806477	806479
1/2	806480	806481	806482	806483	806484	806485	806486	806488	806489	806491	806493	806495
9/16	806496	806497	806498	806499	806500	806501	806502	806504	806505	806507	806509	806511
5/8	806512	806513	806514	806515	806516	806517	806518	806520	806521	806523	806525	806527
3/4	806528	806529	806530	806531	806532	806533	806534	806536	806537	806539	806541	806543
7/8	806544	806545	806546	806547	806548	806549	806550	806552	806553	806555	806557	806559
1	806560	806561	806562	806563	806564	806565	806566	806568	806569	806571	806573	806575
Pin Dia	Grip Length (mm)											
	10	15	20	25	30	40	50	60	70	80	90	100
<b>Heavy Duty Button Handle - Metric</b>												
5	855400	855401	855402	855403	855404	855405	855406	855407	855408	855409	855410	855411
6	855412	855413	855414	855415	855416	855417	855418	855419	855420	855421	855422	855423
8	855424	855425	855426	855427	855428	855429	855430	855431	855432	855433	855434	855435
10	855436	855437	855438	855439	855440	855441	855442	855443	855444	855445	855446	855447
12	855448	855449	855450	855451	855452	855453	855454	855455	855456	855457	855458	855459
16	855460	855461	855462	855463	855464	855465	855466	855467	855468	855469	855470	855471
20	855472	855473	855474	855475	855476	855477	855478	855479	855480	855481	855482	855483
25	855484	855485	855486	855487	855488	855489	855490	855491	855492	855493	855494	855495

Contact customer service for other sizes. Includes attachment ring.

# Kwik-Lok™ Lifting Pins



## Lifting Pin Specifications - Inches

Nom Pin Dia	Max. Load Rating (lbs)*	ØA		+/-0.005 B	+0.00/-0.04 C	Max. Gap (X) (in)	Required Hole Diameter (in)	
		Min	Max				Max	Min
1/4	400	.2470	.2485	.286	.290	0.06	0.2540	0.2500
5/16	700	.3095	.3110	.375	.330	0.06	0.3165	0.3125
3/8	1,000	.3720	.3735	.440	.365	0.06	0.3790	0.3750
1/2	1,250	.4970	.4985	.594	.460	0.06	0.5050	0.5000
5/8	1,400	.6220	.6235	.750	.580	0.06	0.6300	0.6250

## Lifting Pin Specifications - Metric

Nom Pin Dia	Max. Load Rating (kN)*	ØA		+/-0.25 B	+0.0/-1.0 C	Max. Gap (X) (mm)	Required Hole Diameter (mm)	
		Min	Max				Max	Min
10	4.4	9.92	9.96	12.00	9	1.5	10.1	10.0
12	5.5	11.92	11.96	14.27	10	1.5	12.1	12.0
16	6.2	15.92	15.96	19.00	14	1.5	16.1	16.0

\*Dimensions in millimeters

- All stainless steel construction and components
- 17-4 PH stainless steel forged, heat treated lifting ring with large opening
- Lifting ring with Load Spreader Bar
- 5 to 1 strength factor
- 360° Swivel
- 180° Pivot
- Also chosen for lashing applications



To add Lift ID™ to Hoist Ring Add "F" to the end of the part number Example: 23414F



## Kwik-Lok™ Lifting Pin - Inches

Dia.	Grip Length							
	0.50	0.75	1.00	1.25	1.50	2.00	2.50	3.00
1/4	807216	807217	807218	807219	807220	807222	807224	807225
5/16	807232	807233	807234	807235	807236	807238	807240	807241
3/8	807248	807249	807250	807251	807252	807254	807256	807257
1/2	807280	807281	807282	807283	807284	807286	807288	807289
5/8	807312	807313	807314	807315	807316	807318	807320	807321

## Kwik-Lok™ Lifting Pin - Metric

Dia.	Grip Length							
	15	20	25	30	35	40	50	75
10	857237	857238	857239	857240	857299	857241	857242	857307
12	857249	857250	857251	857252	857300	857253	857254	857308
16	857261	857262	857263	857264	857301	857265	857266	857309

**Important:** Please review all operating instructions that are included in the packaging or online before use.

Note: If the required hole size cannot be achieved; Jergens recommends the use of our threaded receptacle (see page 1.17); Please Contact Customer Service with any questions.

\*Lifting load ratings are based on tests with hardened tool steel plates or shoulder bushings. Load ratings may be reduced if oversized holes or parent material under 80,000 psi tensile are used.

\*Kwik-Lok™ Lifting Pins are not suited for continuous rotation under load.



## Threaded Receptacles

High Strength Stainless Steel, 17-4 PH heat treated

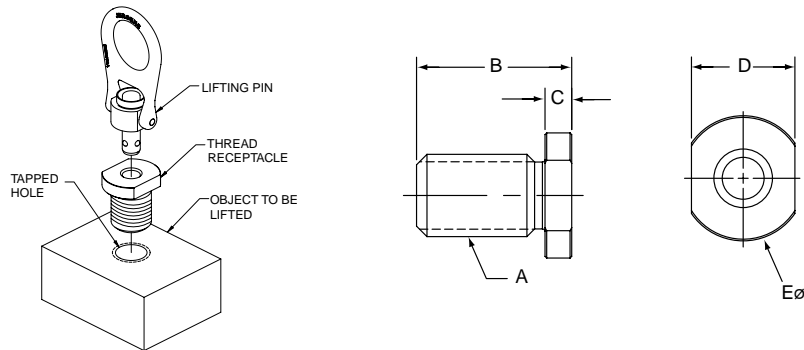


### KLP Threaded Receptacles - Inch

For Kwik-Lok™ Lifting Pin		Use Receptacle Part Number	Thread Size A	Overall Length B	Head Height C	Head Flats D	Diameter E	Install Torque (ft-lbs)
Size	Part Number							
1/4x0.5	807216	<b>845100</b>	1/2-13	0.930	0.16	.62	.75	7
5/16x0.5	807232	<b>845101</b>	3/4-10	1.100	0.28	.87	1.12	18
3/8x0.5	807248	<b>845102</b>	3/4-10	1.100	0.28	.87	1.12	25
1/2x0.5	807280	<b>845103</b>	1 1/8-7	1.625	0.37	1.25	1.62	47
5/8x0.5	807312	<b>845104</b>	1 1/8-7	1.625	0.37	1.25	1.62	53

### KLP Threaded Receptacles - Metric

For Kwik-Lok™ Lifting Pin		Use Receptacle Part Number	Thread Size A	Overall Length B	Head Height C	Head Flats D	Diameter E	Install Torque (kg-m)
Size	Part Number							
10x15	857237	<b>855100</b>	M20x2.5	29	7	26	34.8	3.6
12x15	857249	<b>855101</b>	M22x2.5	37	9	30	34.8	5.0
16x15	857261	<b>855102</b>	M27x3	41	10	32	41.2	6.9



### Kwik-Lok™ Lifting Pin Kits - Inch



Kit Part Number	Kwik-Lok™ Lifting Pin Size	Receptacle Thread Size	Kwik-Lok™ Lifting Pin Part Number	Threaded Receptacle Part Number
847216	1/4 x 0.5	1/2-13	807216	845100
847232	5/16 x 0.5	3/4-10	807232	845101
847248	3/8 x 0.5	3/4-10	807248	845102
847280	1/2 x 0.5	1 1/8-7	807280	845103
847312	5/8 x 0.5	1 1/8-7	807312	845104

\*Each kit contains one Kwik-Lok™ lifting pin and one corresponding Threaded Receptacle.

### Kwik-Lok™ Lifting Pin Kits - Metric

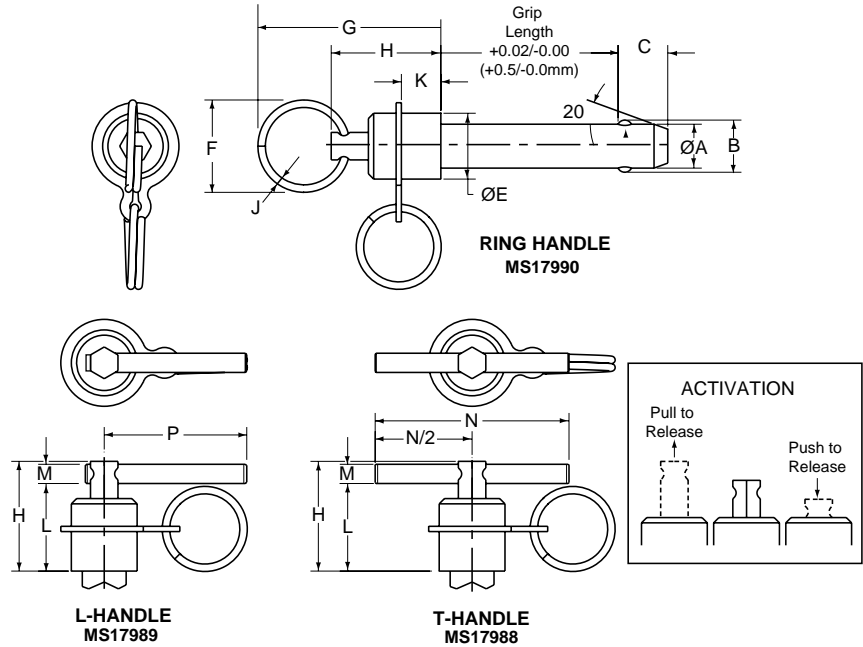
Kit Part Number	Kwik-Lok™ Lifting Pin Size	Receptacle Thread Size	Kwik-Lok™ Lifting Pin Part Number	Threaded Receptacle Part Number
877237	M10 x 15	M20 x 2.5	857237	855100
877249	M12 x 15	M22 x 2.5	857249	855101
877261	M16 x 15	M27 x 3	857261	855102

\*Each kit contains one Kwik-Lok™ lifting pin and one corresponding Threaded Receptacle.

# Double Acting T, L, Ring Handles MS17988, MS17989, MS17990



### Push/Pull Activation



- Double Acting Pins are activated by push or pull motion
- All stainless steel construction provides additional corrosion resistance
- Body is made from high Strength Stainless Steel, 17-4 PH heat treated.
- Ideal for quick insertion and removal
- Four ball options available upon request
- Includes split ring for easy attachment of optional lanyard.
- Meets or exceeds NASM 23460 specifications
- Drive Out feature available upon request

### Double Acting Specifications - Inch

Nom Pin Dia	Pin Dia A		B +/-0.005	C Max	E		F		Max G	H	J	K		Min L	Dia M	N	P
	Min	Max			Min	Max	Min	Max				Min	Max				
3/16 (#10)	.1870	.1885	.220	.410	.360	.450	1.000	1.125	1.945	1.030	.080	.415	.480	.780	.109	1.500	1.300
1/4	.2470	.2485	.289	.410	.360	.450	1.000	1.125	1.945	1.030	.080	.415	.480	.780	.109	1.500	1.300
5/16	.3095	.3110	.375	.440	.390	.505	1.000	1.125	1.945	1.030	.080	.415	.480	.780	.109	1.500	1.300
3/8	.3720	.3735	.440	.510	.510	.630	1.000	1.125	2.025	1.090	.080	.445	.540	.830	.156	2.000	1.500
7/16	.4345	.4360	.509	.510	.510	.630	1.000	1.125	2.025	1.090	.080	.445	.540	.830	.156	2.000	1.500
1/2	.4970	.4985	.594	.590	.640	.755	1.000	1.125	2.200	1.270	.080	.445	.540	.880	.218	2.250	1.655
9/16	.5595	.5610	.666	.660	.640	.755	1.000	1.125	2.200	1.270	.080	.445	.540	.880	.218	2.250	1.655
5/8	.6220	.6235	.750	.750	.805	.870	1.312	1.500	2.690	1.465	.120	.510	.575	1.000	.250	2.500	1.810
3/4	.7470	.7485	.887	.790	.890	.960	1.312	1.500	2.690	1.465	.120	.530	.595	1.000	.250	2.500	1.810
7/8	.8720	.8735	1.046	.950	1.070	1.150	1.312	1.500	2.860	1.640	.120	.665	.730	1.180	.250	2.875	2.250
1	.9970	.9985	1.219	1.110	1.200	1.280	1.312	1.500	3.010	1.830	.120	.800	.865	1.320	.250	2.875	2.250

### Double Acting Specifications - Metric

Nom Pin Dia	Pin Dia A		B +/-0.25	C Max	E		F		Max G	H	J	K		Min L	Dia M	N	P
	Min	Max			Min	Max	Min	Max				Min	Max				
5	4.92	4.96	5.54	10.41	9.14	11.43	25.40	28.58	49.40	26.16	2.03	10.54	12.19	19.81	2.78	38.10	33.02
6	5.92	5.96	6.99	10.41	9.14	11.43	25.40	28.58	49.40	26.16	2.03	10.54	12.19	19.81	2.78	38.10	33.02
8	7.92	7.96	9.42	11.68	9.91	12.83	25.40	28.58	49.40	26.16	2.03	10.54	12.19	19.81	2.78	38.10	33.02
10	9.92	9.96	11.86	13.21	12.95	16.00	25.40	28.58	51.44	27.69	2.03	11.30	13.72	21.08	3.97	49.21	38.10
12	11.92	11.96	14.45	13.72	12.95	16.00	25.40	28.58	51.44	27.69	2.03	11.30	13.72	21.08	3.97	49.21	38.10
16	15.92	15.96	19.00	19.18	20.45	22.10	33.32	38.10	68.33	37.21	3.04	12.95	14.61	25.40	6.35	61.91	45.97
20	19.92	19.96	24.08	20.57	22.61	24.38	33.32	38.10	68.33	37.21	3.04	13.46	15.11	25.40	6.35	61.91	45.97
25	24.92	24.96	30.94	28.83	30.48	32.51	33.32	38.10	76.45	46.48	3.04	20.32	21.97	33.53	6.35	71.45	57.15

Dimensions in millimeters

Pin Dia	Grip Length (inches)											
	0.5	0.75	1	1.25	1.5	1.75	2	2.5	3	4	5	6
<b>Double Acting Ring Handle - Inch - MS17990</b>												
3/16	806200	806201	806202	806203	806204	806205	806206	806208	806209	806211	806213	806215
1/4	806216	806217	806218	806219	806220	806221	806222	806224	806225	806227	806229	806231
5/16	806232	806233	806234	806235	806236	806237	806238	806240	806241	806243	806245	806247
3/8	806248	806249	806250	806251	806252	806253	806254	806256	806257	806259	806261	806263
7/16	806264	806265	806266	806267	806268	806269	806270	806272	806273	806275	806277	806279
1/2	806280	806281	806282	806283	806284	806285	806286	806288	806289	806291	806293	806295
9/16	806296	806297	806298	806299	806300	806301	806302	806304	806305	806307	806309	806311
5/8	806312	806313	806314	806315	806316	806317	806318	806320	806321	806323	806325	806327
3/4	806328	806329	806330	806331	806332	806333	806334	806336	806337	806339	806341	806343
7/8	806344	806345	806346	806347	806348	806349	806350	806352	806353	806355	806357	806359
1	806360	806361	806362	806363	806364	806365	806366	806368	806369	806371	806373	806375
<b>Double Acting T-Handle - Inch - MS17988</b>												
3/16	803400	803401	803402	803403	803404	803405	803406	803408	803409	803411	803413	803415
1/4	803416	803417	803418	803419	803420	803421	803422	803424	803425	803427	803429	803431
5/16	803432	803433	803434	803435	803436	803437	803438	803440	803441	803443	803445	803447
3/8	803448	803449	803450	803451	803452	803453	803454	803456	803457	803459	803461	803463
7/16	803464	803465	803466	803467	803468	803469	803470	803472	803473	803475	803477	803479
1/2	803480	803481	803482	803483	803484	803485	803486	803488	803489	803491	803493	803495
9/16	803496	803497	803498	803499	803500	803501	803502	803504	803505	803507	803509	803511
5/8	803512	803513	803514	803515	803516	803517	803518	803520	803521	803523	803525	803527
3/4	803528	803529	803530	803531	803532	803533	803534	803536	803537	803539	803541	803543
7/8	803544	803545	803546	803547	803548	803549	803550	803552	803553	803555	803557	803559
1	803560	803561	803562	803563	803564	803565	803566	803568	803569	803571	803573	803575
<b>Double Acting L-Handle - Inch - MS17989</b>												
3/16	806000	806001	806002	806003	806004	806005	806006	806008	806009	806011	806013	806015
1/4	806016	806017	806018	806019	806020	806021	806022	806024	806025	806027	806029	806031
5/16	806032	806033	806034	806035	806036	806037	806038	806040	806041	806043	806045	806047
3/8	806048	806049	806050	806051	806052	806053	806054	806056	806057	806059	806061	806063
7/16	806064	806065	806066	806067	806068	806069	806070	806072	806073	806075	806077	806079
1/2	806080	806081	806082	806083	806084	806085	806086	806088	806089	806091	806093	806095
9/16	806096	806097	806098	806099	806100	806101	806102	806104	806105	806107	806109	806111
5/8	806112	806113	806114	806115	806116	806117	806118	806120	806121	806123	806125	806127
3/4	806128	806129	806130	806131	806132	806133	806134	806136	806137	806139	806141	806143
7/8	806144	806145	806146	806147	806148	806149	806150	806152	806153	806155	806157	806159
1	806160	806161	806162	806163	806164	806165	806166	806168	806169	806171	806173	806175

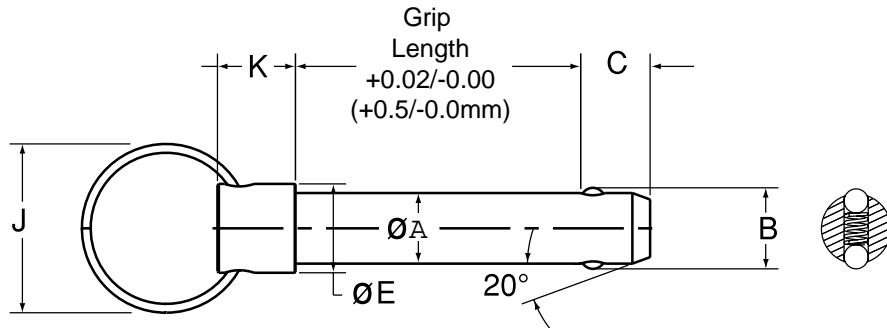
Contact customer service for other sizes.

Pin Dia	Grip Length (mm)											
	10	15	20	25	30	40	50	60	70	80	90	100
<b>Double Acting Ring Handle - Metric</b>												
5	855000	855001	855002	855003	855004	855005	855006	855007	855008	855009	855010	855011
6	855012	855013	855014	855015	855016	855017	855018	855019	855020	855021	855022	855023
8	855024	855025	855026	855027	855028	855029	855030	855031	855032	855033	855034	855035
10	855036	855037	855038	855039	855040	855041	855042	855043	855044	855045	855046	855047
12	855048	855049	855050	855051	855052	855053	855054	855055	855056	855057	855058	855059
16	855060	855061	855062	855063	855064	855065	855066	855067	855068	855069	855070	855071
20	855072	855073	855074	855075	855076	855077	855078	855079	855080	855081	855082	855083
25	855084	855085	855086	855087	855088	855089	855090	855091	855092	855093	855094	855095
<b>Double Acting T-Handle - Metric</b>												
5	853400	853401	853402	853403	853404	853405	853406	853407	853408	853409	853410	853411
6	853412	853413	853414	853415	853416	853417	853418	853419	853420	853421	853422	853423
8	853424	853425	853426	853427	853428	853429	853430	853431	853432	853433	853434	853435
10	853436	853437	853438	853439	853440	853441	853442	853443	853444	853445	853446	853447
12	853448	853449	853450	853451	853452	853453	853454	853455	853456	853457	853458	853459
16	853460	853461	853462	853463	853464	853465	853466	853467	853468	853469	853470	853471
20	853472	853473	853474	853475	853476	853477	853478	853479	853480	853481	853482	853483
25	853484	853485	853486	853487	853488	853489	853490	853491	853492	853493	853494	853495
<b>Double Acting L-Handle - Metric</b>												
5	854600	854601	854602	854603	854604	854605	854606	854607	854608	854609	854610	854611
6	854612	854613	854614	854615	854616	854617	854618	854619	854620	854621	854622	854623
8	854624	854625	854626	854627	854628	854629	854630	854631	854632	854633	854634	854635
10	854636	854637	854638	854639	854640	854641	854642	854643	854644	854645	854646	854647
12	854648	854649	854650	854651	854652	854653	854654	854655	854656	854657	854658	854659
16	854660	854661	854662	854663	854664	854665	854666	854667	854668	854669	854670	854671
20	854672	854673	854674	854675	854676	854677	854678	854679	854680	854681	854682	854683
25	854684	854685	854686	854687	854688	854689	854690	854691	854692	854693	854694	854695

Contact customer service for other metric sizes.

## Heavy Duty Detent Pins

### MIL-P-45952/1



The Heavy Duty Detent Kwik-Lok™ Pin is a high quality shoulder style alignment pin for applications that don't require the positive locking ball feature.

- Heavy duty spring and 2 spring loaded stainless steel locking balls provide high pull out force
- Available in 300 Series Stainless steel or heat treated alloy steel. Also in 17-4 PH heat treated stainless steel upon request
- Includes split ring for easy attachment of optional lanyard.

### Heavy Duty Detent Specifications - Inch

Nom. Pin Dia	Dia. +0.000/-0.003 A	Min. B	+0.00/-0.06 C	Dia. +/-0.015 E	Dia. J	K	Double Shear Strength - (lbs)		Pull Out Force (lbs)	Recommended Hole Diameter	
							Alloy Steel Heat Treated	Stainless 300 Series		Max	Min
3/16 (#10)	.1885	.200	.250	.375	1.187	.50	4,700	2,530	2 to 7	0.1940	0.1900
1/4	.2480	.280	.344	.375	1.187	.50	8,500	4,500	2 to 7	0.2540	0.2500
5/16	.3105	.360	.359	.438	1.187	.50	13,400	7,100	2 to 7	0.3165	0.3125
3/8	.3730	.430	.390	.500	1.187	.50	19,600	10,300	6 to 14	0.3790	0.3750
7/16	.4355	.495	.469	.625	1.187	.55	26,700	14,050	6 to 14	0.4425	0.4375
1/2	.4980	.570	.516	.625	1.187	.55	34,900	18,400	10 to 22	0.5050	0.5000
9/16	.5605	.645	.593	.625	1.687	.55	44,300	23,300	15 to 30	0.5675	0.5625
5/8	.6230	.720	.672	.750	1.687	.55	54,900	28,900	15 to 30	0.6300	0.6250
3/4	.7480	.860	.750	.875	1.687	.55	79,300	41,800	15 to 30	0.7570	0.7500
7/8	.8730	1.030	.859	1.000	2.187	.55	108,000	57,000	20 to 35	0.8820	0.8750
1	.9980	1.160	.984	1.125	2.187	.55	141,500	74,600	20 to 40	1.0100	1.0000

### Heavy Duty Detent Specifications - Metric

Nom. Pin Dia	Dia. +0.000/-0.080 A	Min. B	+0.0/-1.5 C	Dia. +/-0.4 E	Dia. J	K	Double Shear Strength - (kN)		Pull Out Force N	Recommended Hole Diameter	
							Alloy Steel Heat Treated	Stainless 300 Series		Max	Min
5	4.95	5.23	6.35	9.53	30.15	12.7	23	12	9 to 31	5.1	5
6	5.95	6.88	8.74	9.53	30.15	12.7	33	17	9 to 31	6.1	6
8	7.95	9.35	9.12	11.13	30.15	12.7	60	32	9 to 31	8.1	8
10	9.95	11.58	9.91	12.70	30.15	12.7	96	50	26 to 62	10.1	10
12	11.95	13.84	13.11	15.88	30.15	14.2	138	73	44 to 97	12.1	12
16	15.95	18.54	17.07	19.05	42.85	14.2	248	130	66 to 133	16.1	16
20	19.95	22.91	19.05	22.23	42.85	14.2	388	204	89 to 155	20.15	20
25	24.95	29.18	24.99	28.58	55.55	14.2	609	321	89 to 178	25.15	25

Dimensions in millimeters

**Heavy Duty Detent Pins - Inch**

	Pin Dia	Grip Length (inches)											
		0.5	0.75	1	1.25	1.5	1.75	2	2.5	3	4	5	6
<b>P A R T N U M B E R S</b>	<b>Stainless Steel - Stainless Steel, 300 series</b>												
	3/16	803800	803801	803802	803803	803804	803805	803806	803808	803809	803811	803813	803815
	1/4	803816	803817	803818	803819	803820	803821	803822	803824	803825	803827	803829	803831
	5/16	803832	803833	803834	803835	803836	803837	803838	803840	803841	803843	803845	803847
	3/8	803848	803849	803850	803851	803852	803853	803854	803856	803857	803859	803861	803863
	7/16	803864	803865	803866	803867	803868	803869	803870	803872	803873	803875	803877	803879
	1/2	803880	803881	803882	803883	803884	803885	803886	803888	803889	803891	803893	803895
	9/16	803896	803897	803898	803899	803900	803901	803902	803904	803905	803907	803909	803911
	5/8	803912	803913	803914	803915	803916	803917	803918	803920	803921	803923	803925	803927
	3/4	803928	803929	803930	803931	803932	803933	803934	803936	803937	803939	803941	803943
	7/8	803944	803945	803946	803947	803948	803949	803950	803952	803953	803955	803957	803959
	1	803960	803961	803962	803963	803964	803965	803966	803968	803969	803971	803973	803975
	Alloy Steel - High Strength Alloy Steel, 4130 heat treated and cadmium plated, yellow trivalent chromium passivation												
	3/16	803600	803601	803602	803603	803604	803605	803606	803608	803609	803611	803613	803615
	1/4	803616	803617	803618	803619	803620	803621	803622	803624	803625	803627	803629	803631
	5/16	803632	803633	803634	803635	803636	803637	803638	803640	803641	803643	803645	803647
	3/8	803648	803649	803650	803651	803652	803653	803654	803656	803657	803659	803661	803663
	7/16	803664	803665	803666	803667	803668	803669	803670	803672	803673	803675	803677	803679
	1/2	803680	803681	803682	803683	803684	803685	803686	803688	803689	803691	803693	803695
	9/16	803696	803697	803698	803699	803700	803701	803702	803704	803705	803707	803709	803711
5/8	803712	803713	803714	803715	803716	803717	803718	803720	803721	803723	803725	803727	
3/4	803728	803729	803730	803731	803732	803733	803734	803736	803737	803739	803741	803743	
7/8	803744	803745	803746	803747	803748	803749	803750	803752	803753	803755	803757	803759	
1	803760	803761	803762	803763	803764	803765	803766	803768	803769	803771	803773	803775	

Contact customer service for other sizes.

**Heavy Duty Detent Pins - Metric**

	Pin Dia	Grip Length (mm)											
		10	15	20	25	30	40	50	60	70	80	90	100
<b>P A R T N U M B E R S</b>	<b>Stainless Steel - Stainless Steel, 300 series</b>												
	5	853800	853801	853802	853803	853804	853805	853806	853807	853808	853809	853810	853811
	6	853812	853813	853814	853815	853816	853817	853818	853819	853820	853821	853822	853823
	8	853824	853825	853826	853827	853828	853829	853830	853831	853832	853833	853834	853835
	10	853836	853837	853838	853839	853840	853841	853842	853843	853844	853845	853846	853847
	12	853848	853849	853850	853851	853852	853853	853854	853855	853856	853857	853858	853859
	16	853860	853861	853862	853863	853864	853865	853866	853867	853868	853869	853870	853871
	20	853872	853873	853874	853875	853876	853877	853878	853879	853880	853881	853882	853883
	25	853884	853885	853886	853887	853888	853889	853890	853891	853892	853893	853894	853895
	Alloy Steel - High Strength Alloy Steel, 4130 heat treated and cadmium plated, yellow trivalent chromium passivation												
	5	853600	853601	853602	853603	853604	853605	853606	853607	853608	853609	853610	853611
	6	853612	853613	853614	853615	853616	853617	853618	853619	853620	853621	853622	853623
	8	853624	853625	853626	853627	853628	853629	853630	853631	853632	853633	853634	853635
	10	853636	853637	853638	853639	853640	853641	853642	853643	853644	853645	853646	853647
	12	853648	853649	853650	853651	853652	853653	853654	853655	853656	853657	853658	853659
	16	853660	853661	853662	853663	853664	853665	853666	853667	853668	853669	853670	853671
	20	853672	853673	853674	853675	853676	853677	853678	853679	853680	853681	853682	853683
	25	853684	853685	853686	853687	853688	853689	853690	853691	853692	853693	853694	853695

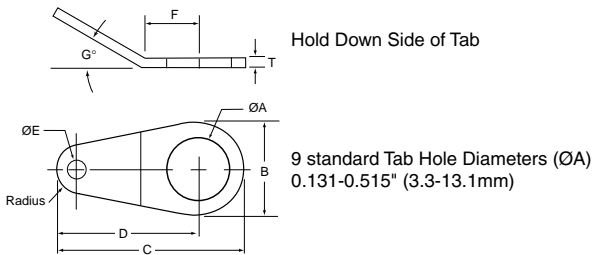
Contact customer service for other metric sizes.

## Lanyard Specifications & Styles

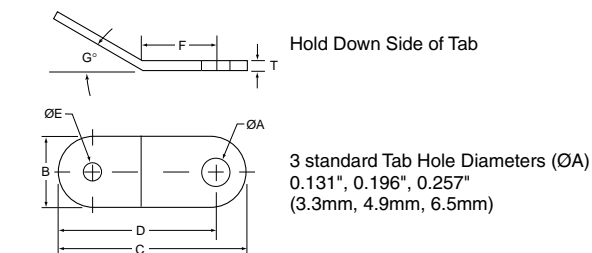
### Lanyard Specifications:

- 302/304 Stainless Steel cable, 1/16" (1.59 mm), with green nylon jacket, 1/8" (3.18 mm), meets Mil-DTL-83420
- Other cable diameters, other jacket colors (blue, black, clear) and special configuration styles by special order.

### Stainless Steel Round Tab



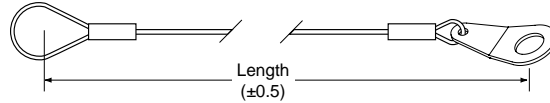
### Aluminum Oval Tab



Consult Table 1, Page 1.23 for Options.

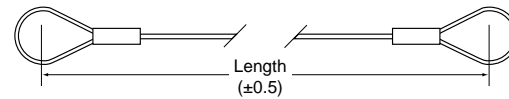
### Standard (W/Tab)

(Fig. 1)



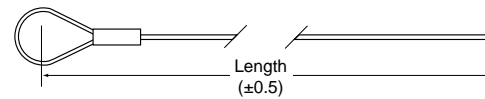
### Standard (2 Loops)

(Fig. 2)



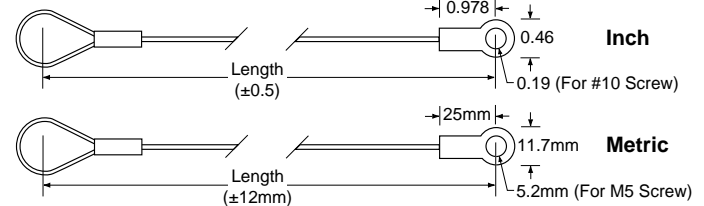
### Standard (1 Loop)

(Fig. 3)



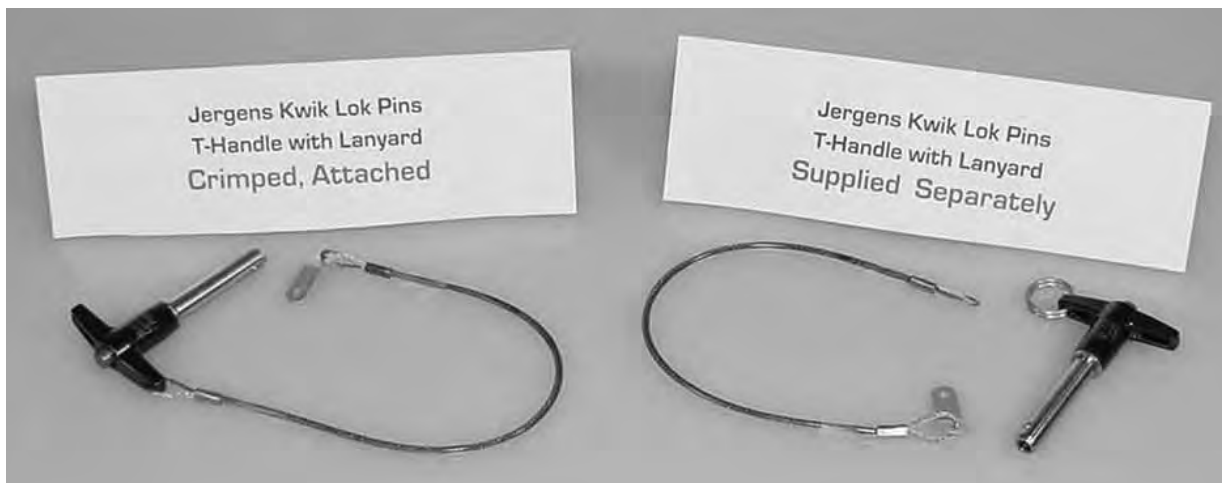
### Loop/Eyelet, Stainless Steel

(Fig. 4)



### Tab Dimensions - Inch

Tab Style	+/-0.005 ØA	+/-0.01 B	+/-0.02 C	+/-0.02 D	+/-0.005 ØE	+/-0.016 Radius	+/-0.01 F	+/- 5 deg. G	+/-0.01 T	Material
Round Tab	See Table 1	0.688	1.316	1.004	0.125	0.160	0.406	12	0.048	300 Series Stain. Steel
Oval Tab	See Table 1	0.375	1.130	0.945	0.125	-	0.500	12	0.060	Aluminum



## Ordering Lanyards Attached to Pins

**Lanyard with a Tab (Fig. 1)**

Length		Round Tab	Oval Tab
inch	mm	Stainless Steel	Aluminum
4	102	(Pin#) A*	(Pin#) M*
6	152	B*	N*
8	203	C*	P*
10	254	D*	Q*
12	305	H*	R*
16	406	J*	S*
20	508	K*	T*
24	610	L*	U*

Substitute the asterisk (\*) with the proper hole size letter from Table 1.

**Table 1 Tab Hole Size**

Tab Mounting Hole Diameter		
Inch	mm	Size Letter
0.131	3.3	P
0.196	4.9	Q
0.257	6.5	R
0.283†	7.1†	S
0.320†	8.1†	T
0.379†	9.6†	U
0.406†	10.3†	V
0.468†	11.8†	W
0.515†	13.1†	Y

(†) These sizes only available in stainless steel round tabs

**Lanyard without a Tab**

Length		2 Loops	1 Loops (Pin)
inch	mm	(Fig. 2)	(Fig. 3)
4	102	(Pin#)EA	(Pin#)FA
6	152	EB	FB
8	203	EC	FC
10	254	ED	FD
12	305	EE	FE
16	406	EF	FF
20	508	EG	FG
24	610	EH	FH

**Lanyard**

**Loop/Eyelet (Fig. 4)**

For Screw Size	
#10	M5
(Pin#)GA	(Pin#)HA
GB	HB
GC	HC
GD	HD
GE	HE
GF	HF
GG	HG
GH	HH

### Part Numbering:

#### Lanyards with Tab, attached to Pins

To order Kwik-Lok™ pins with attached lanyard and tab (fig. 1), photo on page 1.22. Specify the six digit pin number followed by two letters from the tables above to define the lanyard length, type of lanyard and tab mounting hole diameter. The first letter designates the length of the lanyard and the type of Tab. The second letter (from table 1) designates the size of the hole in the tab for the mounting screw.

**Example A:** For an Aluminum T-Handle with stainless steel pin body 1/2" x 1.0", with an attached 8" Lanyard and Round Stainless Steel Tab with a mounting hole diameter of 0.257" (6.5 mm), the part number is 801082CR.

#### Lanyards with 2 loops, 1 loop, or loop/eyelet

To order Kwik-Lok™ pins with lanyard and 2 loops (fig. 2), 1 loop (fig. 3) or loop/eyelet (fig. 4), specify the six digit pin number followed by a two letter combination from above to define lanyard length, number of loops or loop/eyelet with mounting screw size.

**Example B:** For all Stainless Steel L Handle Pin, 1"x 6", with attached 24" (610 mm) lanyard and 2 Loops, the part number is 805775EH.

**Example C:** For all Stainless Steel Button Handle, pin 6 x 40 mm, with attached 10" (254 mm) lanyard and Loop/Eyelet for M5 screws, the part number is 855417HD.

Note: Split rings are not included when attaching lanyards, unless customer specified. In that case add an R as a third letter to the extension.

## Ordering Lanyards When Supplied Separately Without Pins

**Lanyards with Tabs (Fig. 1)**

Length		Round Tab	Oval Tab
inch	mm	Stainless Steel	Aluminum
4	102	890054*	890104*
6	152	890056*	890106*
8	203	890058*	890108*
10	254	890060*	890110*
12	305	890062*	890112*
16	406	890066*	890116*
20	508	890070*	890120*
24	610	890074*	890124*

Substitute the asterisk (\*) with the proper hole size letter from Table 1.

**Table 1 Tab Hole Size**

Tab Mounting Hole Diameter		
Inch	mm	Size Letter
0.131	3.3	P
0.196	4.9	Q
0.257	6.5	R
0.283†	7.1†	S
0.320†	8.1†	T
0.379†	9.6†	U
0.406†	10.3†	V
0.468†	11.8†	W
0.515†	13.1†	Y

(†) These sizes only available in stainless steel round tabs

**Lanyards without Tabs**

Length		2 Loops	1 Loops (Pin)
inch	mm	(Fig. 2)	(Fig. 3)
4	102	890204	890254
6	152	890206	890256
8	203	890208	890258
10	254	890210	890260
12	305	890212	890262
16	406	890216	890266
20	508	890220	890270
24	610	890224	890274

**Lanyard**

**Loop/Eyelet (Fig. 4)**

For Screw Size	
#10	M5
890304	890404
890306	890406
890308	890408
890310	890410
890312	890412
890316	890416
890320	890420
890324	890424

### Part Numbering: Lanyards to be Supplied Separately

For lanyards with tabs, ordered separately without pins (photo page 1.22), specify the six digit pin number followed by the hole size letter from Table 1.

**Example D:** For a 24" (610 mm) lanyard with stainless steel round tab with a mounting hole diameter of 0.406" (10.3 mm), the part number is 890074V.

## Kwik-Lok™ Pin Specifications

### Kwik-Lok™ Pin Specifications - Inch

Pin Dia (in)	Double Shear Resistance Minimum (lbs)*		Locking Element Tensile Strength Min (lbs)†	Recommended Hole Diameter (in)	
	Stainless Steel 17-4 PH Heat Treated	Alloy Steel Heat Treated Cadmium Plated		Max	Min
1/4	9,200	8,200	230	0.2540	0.2500
5/16	14,400	12,800	510	0.3165	0.3125
3/8	20,700	18,400	575	0.3790	0.3750
7/16	28,500	25,000	710	0.4425	0.4375
1/2	36,900	32,800	1,160	0.5050	0.5000
9/16	46,700	41,600	1,420	0.5675	0.5625
5/8	57,800	51,400	2,070	0.6300	0.6250
3/4	83,200	74,600	2,950	0.7570	0.7500
7/8	112,500	100,000	3,900	0.8820	0.8750
1	147,200	131,000	5,480	1.0100	1.0000

### Kwik-Lok™ Pin Specifications - Metric

Pin Dia (mm)	Double Shear Resistance Minimum (kN)*		Locking Element Tensile Strength Min (N)†	Recommended Hole Diameter (mm)	
	Stainless Steel 17-4 PH Heat Treated	Alloy Steel Heat Treated Cadmium Plated		Max	Min
6	35	31	890	6.1	6
8	65	58	2,250	8.1	8
10	100	88	2,280	10.1	10
12	144	128	3,150	12.1	12
16	257	229	9,200	16.1	16
20	403	358	13,100	20.15	20
25	631	561	23,400	25.15	25

\* Double shear values are the minimum requirements according to NAS functionality tests.

† Locking element tensile strength values are the minimum requirements of NAS functionality tests. Pins may be special ordered with 4 locking balls for additional locking element tensile strength.

## Military Specifications (MS) & National Aerospace Standards (NASM)

Jergens is a Department of Defense approved supplier of Quick Release Pins, under CAGE code 94882.

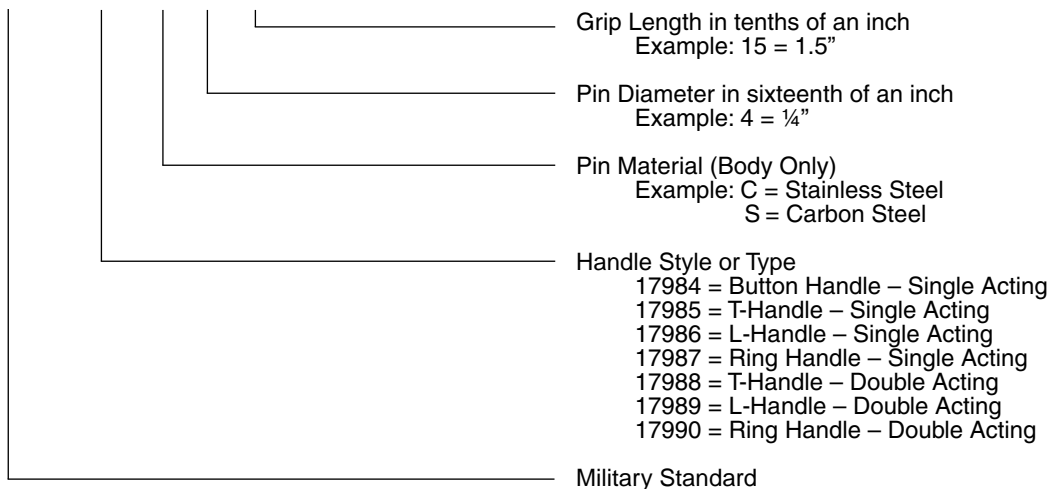
Certificate of Conformance is available upon request at time of order.

DFARS compliant material can be quoted upon request.

NAS Number 1333-1346 and 1353-1366 are available.

MS Numbers 17984-90 now refer to NASM 17984-90.

MS 17984 C 4 15



Special Military and Aerospace size and configurations are available. Please contact customer service 1-800-JERGENS (537-4367)



## Material Specifications

### Kwik-Lok™ Pin

Component Part	Material
Bodies (Shank)	CRES 17-4 PH Stainless Steel
	Alloy Steel 4130
Balls	CRES 440C Stainless Steel*
Buttons	CRES 303 Stainless Steel
	Aluminum Alloy 2024
Springs	CRES 302 Stainless Steel
Handles	
T & L Handles	Aluminum (380) Casting
Button Handles	Aluminum Alloy 2024
Ring Handles	CRES 303 Stainless Steel
Heavy Duty T & L	CRES 303 Stainless Steel
Heavy Duty Button Handle	CRES 303 Stainless Steel
Recessed Button Handle	CRES 300 Series Stainless Steel
Collar	CRES 303 or 304 Stainless Steel

### Kwik-Lok™ Lifting Pin

Component Part	Material
Bodies (Shank)	CRES 17-4 PH Stainless Steel
Balls	CRES 440C Stainless Steel*
Buttons	CRES 303 Stainless Steel
Lift Ring	Forged 17-4 PH Stainless Steel
Springs	CRES 302 Stainless Steel

### Detent Pins

Component Part	Material
Bodies (Shank)	CRES 303 Stainless Steel
	Alloy Steel 4130
Balls	CRES 440C Stainless Steel*
Springs	CRES 302 Stainless Steel
Head	CRES 303 Stainless Steel
	Alloy Steel 4130

\* Locking Balls also available in 302 Stainless Steel by special order.  
Actual locking element tensile strength is reduced by lower strength alloys.  
Ordering special pins with 4 balls will increase locking element tensile strength above NAS functionality test requirements.

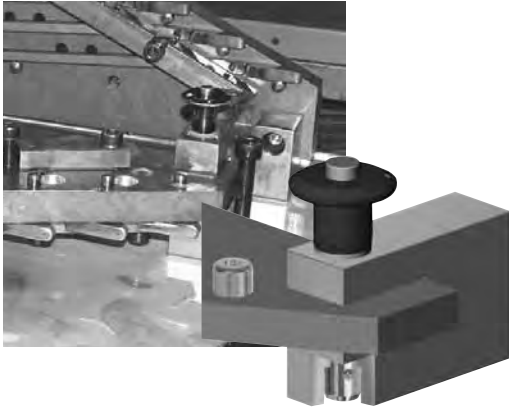
### Heat Treatment:

- 17-4 PH Stainless Steel: Condition H-900, Rockwell C40 Min per MIL-H-6875
- 4130 Alloy Steel: Rockwell C36-40

### Surface Treatment:

- CRES Parts: Passivate per AMS-QQ-P-35
- Alloy Steel Parts: Cadmium plate per QQ-P-416, Type II, Class 2
- Aluminum Alloy Parts: Anodize per MIL-A-8625 Type I or II per MIL-C-5541 Class 1A
- Aluminum Handles: Color Black

Jergens Kwik-Lok™ Pins are designed and manufactured to meet or exceed these standards.



## Diverse Application Needs

### Manufacturing:

Jigs and Fixturing  
Packaging Machinery  
Paper Mills/Machinery  
Conveyor Systems  
Material Handling Equipment  
Textile Machinery  
Forming and Fabricating Equipment  
Plastic Injection Molding

### Medical Equipment:

Hospital Beds and Cots  
Medical Equipment  
Portable X-Ray Equipment  
Wheelchairs

### Recreational Industry:

Hot Air Balloons  
Recreational Vehicles  
Racing Cars  
(hoods, transmissions,  
steering wheels)  
Weight Machines  
Jet Skis  
Hang Gliders  
Mountain Climbing Equipment



### Aviation/Military:

Tank Doors and Lids  
(Various process industries)  
Landing Gear  
Drop Tanks  
Ordinance  
Cargo Nets  
Aircraft Seating  
Aerial Spraying Equipment  
Gliders

### Marine Industry

#### (Recreation/Commercial):

Anchors  
Bimini Covers  
Outriggers  
Boat Trailers  
Rudder/Tiller Attachments  
Sailboat Rigging  
Commercial Boat Rigging

### General Industrial:

Scaffolding Equipment  
Mining Equipment  
Drilling Equipment  
Lifting Equipment  
(Hoists, Slings, Cables, etc.)  
Trailer Beds

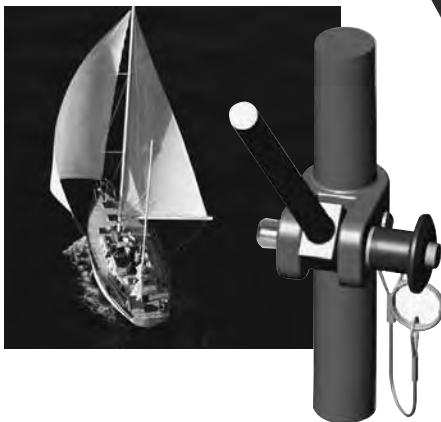


## Need a Special Size or Configuration?

See page 1.27 and contact Jergens for more information.

3D solid models available in SolidWorks® (.SLDPRT) and other formats, downloadable from [www.jergensinc.com](http://www.jergensinc.com).

SolidWorks® is a registered trademark of SolidWorks Corporation.





# PRECISION PARTS FOR MILITARY APPLICATIONS



Jergens is an ISO 9001:2008 certified, government-approved manufacturer. We are your complete source for mil-spec Kwik-Lok™ pins, spring-loaded devices, threaded inserts, and threaded components and washers. We also offer workholding components, locating components, handles, knobs and handwheels, lifting products that include center-pull and side-pull styles of hoist rings, and toggle clamps.

Jergens can offer quick turnaround on special orders, low or no minimums, and engineering expertise that results in our ability to answer and help with technical questions. We offer the advantages of relationship and know-how.

- MS, NAS, DFARS, and RoHS Compliant Parts Available
- Military Drawings Available in 3D Solid Models from the Web or Fixture Pro™ Plus CD
- Manufacturing #: 697830
- FSCMI Cage Code: 94882

**Jergens**®