



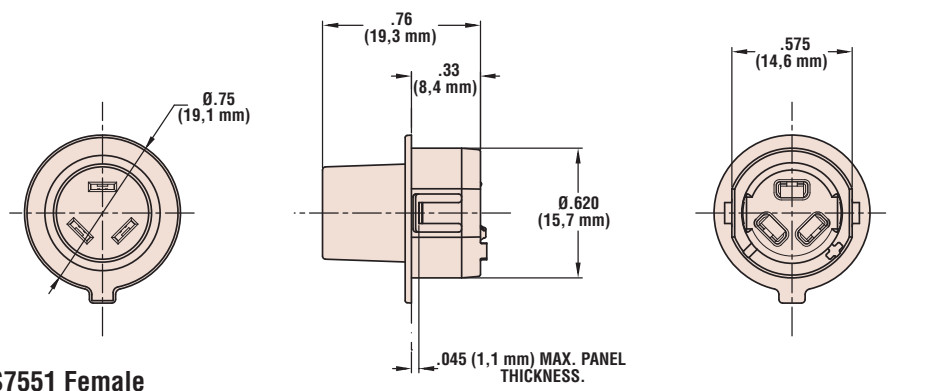
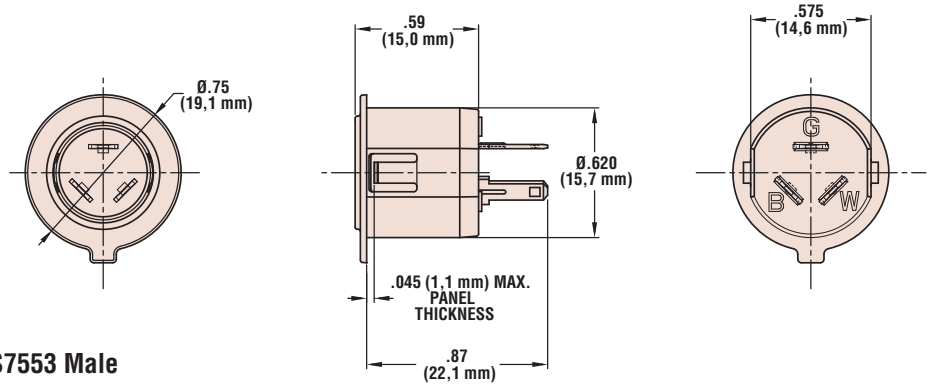
Heyco® Modular Connector System - Male & Female Connectors

UL Recognized for Use in the U.S. under File E231361

- **Small (5/8" Diameter)** connectors for plugging lighting fixtures together.
- Patented, keyed three conductor male and female connectors.
- Snap-in construction for insertion into DD holes without rotation.
- 1/16" spacing between fixtures when plugged together.
- End-to-end connection as in covers or under cabinets.
- Interconnects help keep down high labor installation costs when more than one fixture is involved.

DESCRIPTION	WIRE				PART NO.	PANEL DIMENSIONS						CONNECTOR TERMINATION (inside application)
	Volts-Amps	Type	Gauge AWG-Cond	Color		Length L* in.	A Mounting Hole Dia. in. mm.		B To Prevent Rotation in. mm.		Max. Panel Thickness in. mm.	
Modular Cordset Component - Male Connector												
120V-7A	SPT-2	18-3	White	12	S7553	.625	15,9	.580	14,7	.045	1,1	.110 x .020 Quick Connect
Modular Cordset Component - Female Connector												
120V-7A	SPT-2	18-3	White	12	S7551	.625	15,9	.580	14,7	.045	1,1	.110 x .020 Quick Connect

* Consult Heyco for any required length not shown.



*Quick
Specs*

Materials Nylon 6/6 and Alloy 260 Brass
Certifications **UL** Recognized Component under UL File E231361
Flammability Rating 94V-2