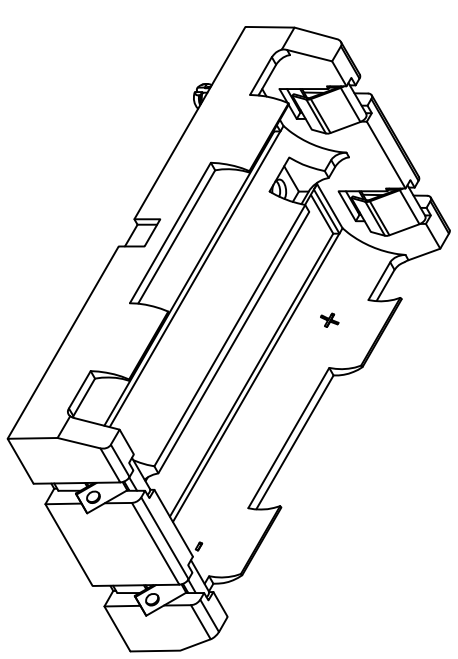


- NOTE:
1. BASE:
MAT'L: HEAT RESISTANCE NYLON (BLACK OLOR)
STANLYL 46 OR EQUIVALENT
 2. CONTACT:
MAT'L: .012 THK STAINLESS STEEL
FINISH: TIN NICKEL PLATE



DATE	DESCRIPTION	REV.
1.19.15	CHANGE AS PER ECN 14-011	A

KEYSTONE ELECTRONICS CORP.			
www.keystone.com • ASTORIA, N.Y. 11105-2017 • Tel (718) 956-8900			
PART NAME SOLDER TAIL DUAL BATTERY HOLDER, 18650			
MATERIAL AS NOTED			
FINISH AS NOTED	DRN BY NT	DATE 12.08.14	
TOLERANCES DECIMAL ± .010 [± 0.25] ANGULAR ± 1°	CODE C	DWG NO. 1047	

THIS DOCUMENT IS THE PROPERTY OF KEYSTONE ELECTRONICS CORP. AND SHALL NOT BE REPRODUCED, DISTRIBUTED OR USED AS A BASIS FOR MANUFACTURE WITHOUT PRIOR WRITTEN PERMISSION FROM KEYSTONE ELECTRONICS CORP.