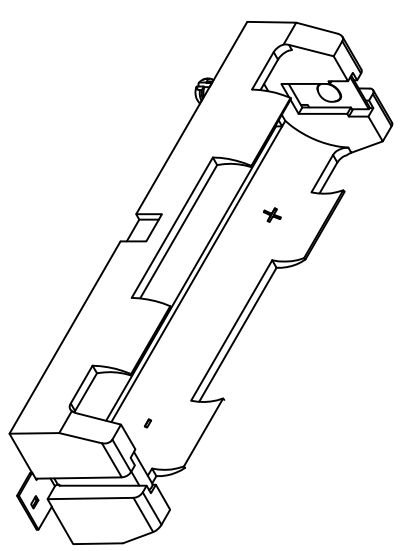
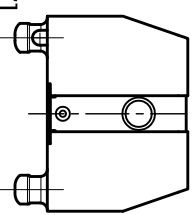
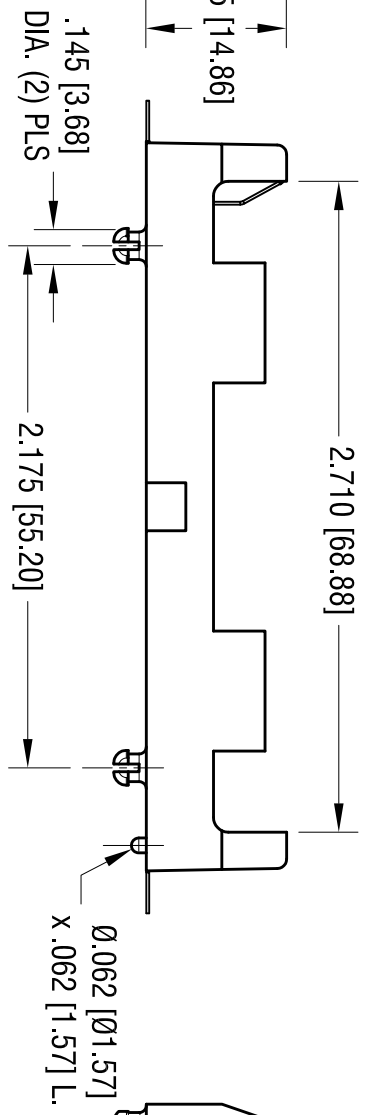
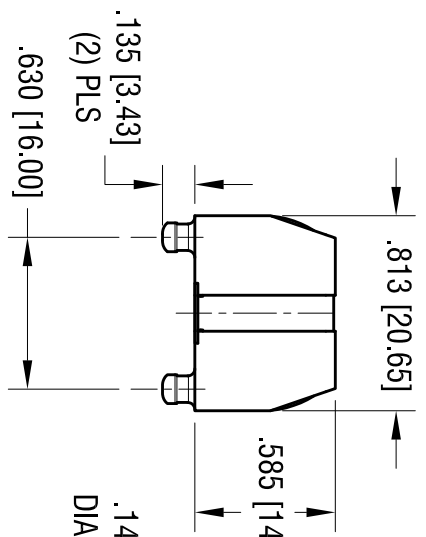
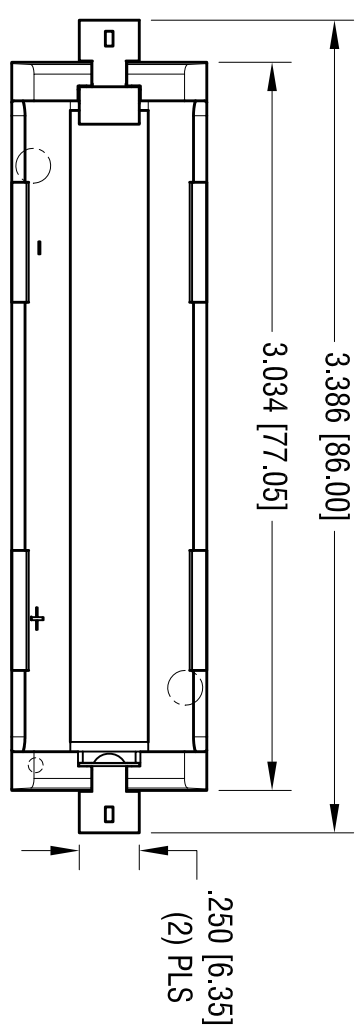
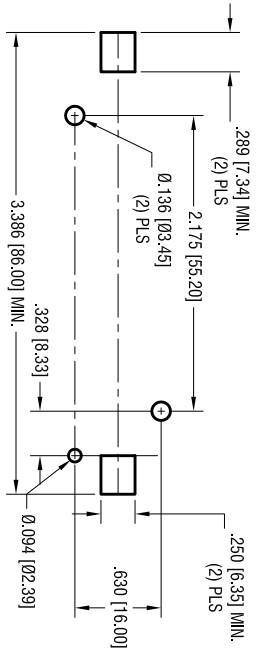


Mounting Pad Layout



NOTE:

- 1. BASE:  
MATERIAL: HEAT RESISTANCE NYLON  
STANLYL 46 OR EQUIVALENT
- 2. CONTACT:  
MATERIAL: .012 [0.30] THK STAINLESS STEEL  
FINISH: GOLD FLASH, OVER NICKEL PLATE

DATE	DESCRIPTION	REV.
10.08.13	CHANGE AS PER ECN 13-091	A

<b>KEYSTONE ELECTRONICS CORP.</b>			
www.keystec.com • ASTORIA, N.Y. 11105-2017 • Tel (718) 956-8900			
PART NAME PC POLARIZED BATTERY HOLDER			
MATERIAL AS NOTED			
FINISH AS NOTED		DRN BY NT	DATE 7.12.13
TOLERANCES DECIMAL ± .010 [± 0.25 ] ANGULAR ± 1°		CODE C	DWG NO. 1042P
UNLESS OTHERWISE SPECIFIED		App'D LN	SCALE 1.25X

THIS DOCUMENT IS THE PROPERTY OF KEYSTONE ELECTRONICS CORP. AND SHALL NOT BE REPRODUCED, DISTRIBUTED OR USED AS A BASIS FOR MANUFACTURE WITHOUT PRIOR WRITTEN PERMISSION FROM KEYSTONE ELECTRONICS CORP.