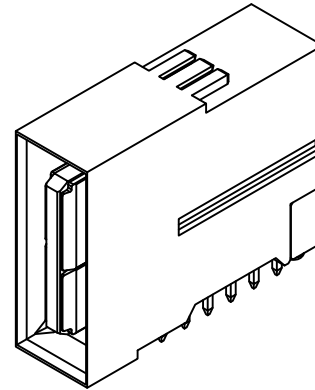
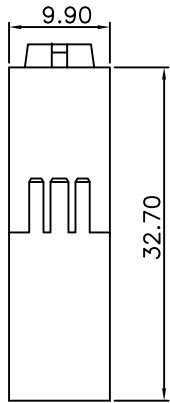


REV.	SPECIFICATION	ECN NO.	APPD.
X4			



Material:

Housing: High Temperature Plastic UL94V-0 .

Power Contacts: Copper Alloy

Electrical Characteristics:

Current Rating: 150AMP.

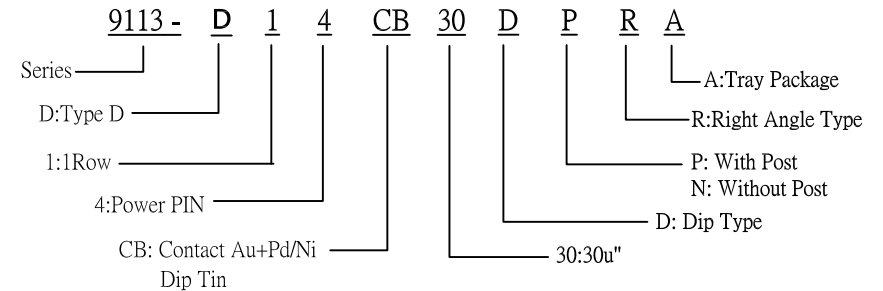
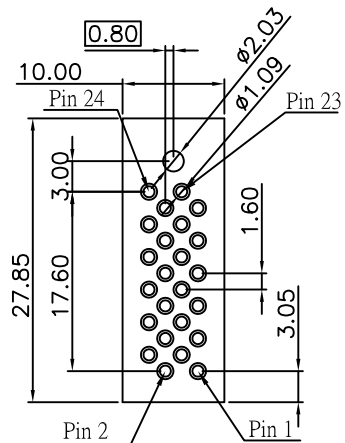
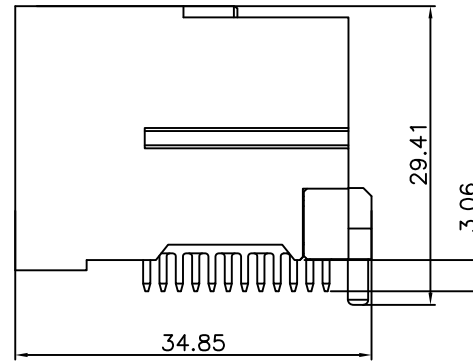
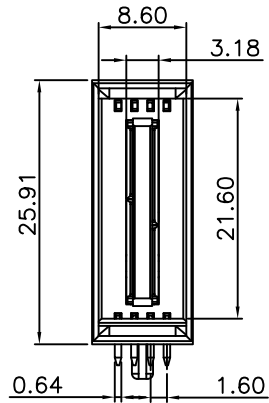
Dielectric Withstanding Voltage: AC 1500V For 1 minute.

Insulator Resistance: 5000MΩ min. at DC 500V.

Contact Resistance: 0.50mΩ max.
0.25mΩ min.

Operating Temperature: -40°C~+105°C.

***RoHS Compliant**



Tolerances	Dwg No.	9113-D0000-015
x = ±0.50	Projection	
.x = ±0.25	Unit	mm
.xx = ±0.15	Scale	1:1
	Drawn By	LQ 03/18'16

Title: 9113 Series
Male Power 150AMP
Connector

OUPIN ELECTRONIC(KUNSHAN) CO., LTD.			
P/N: 9113-D14CB30DPRA			
SHEET	1/1	Ver. No.	X4