



# ACCESSORIES



# ACCESSORIES

GROUP CODE	PRODUCT NAME
2150	DRAWING POCKET (A4)
2152	DRAWING POCKET (A5)
2220	CIRCULAR INSPECTION WINDOW
2216	COUNTER SCREEN
2215	COUNTER SCREEN
24XX	EYEBOLT
240X	CAGE NUT
340.00.135	TOGGLE LATCH
340.00.133	TOGGLE LATCH
340.00.131	TOGGLE LATCH
2702	TOGGLE LATCH
2701	TOGGLE LATCH
2700	TOGGLE LATCH
276X	MINI INDEXING PLUNGERS
2750	SPRING LOADED LATCH WITHOUT STUD
2751	SPRING LOADED LATCH WITH STUD
340.02.430	SCREW
025	GLASS HINGE
320.02.16X	CABLE SHUNTING RINGS
079	COVER STAY
279	COVER STAY
179	COVER STAY
340.10.00X	ACOUSTIC SPONGE (Formed type)
340.10.00X	ACOUSTIC SPONGE (Flat type)
340.00.3XX	DIAPHRAGM GROMMETS
340.08.01X	RUBBER STOPPER
340.00.40X	RUBBER PLUG
340.08.001	DOOR HOLDBACK
340.20.0XX	DOOR BOTTOM BRUSHES (Screw type)
340.20.0XX	DOOR BOTTOM BRUSHES (Plug-in type)



PAGE

432

432

433

434

434

435

435

436

436

436

437

437

437

438

439

439

440

441

441

442

443

444

445

445

446

447

447

448

449

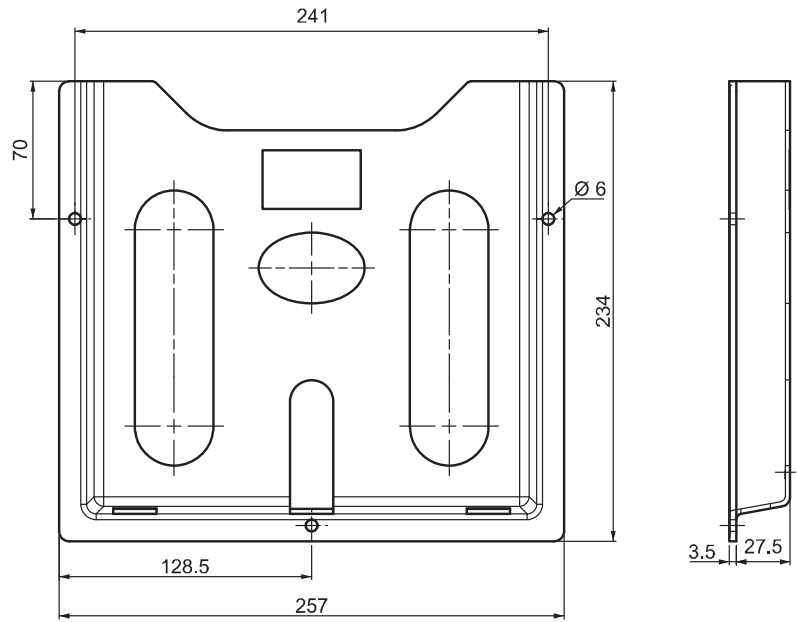
449



# ACCESSORIES

## DRAWING POCKET (A4)

2150



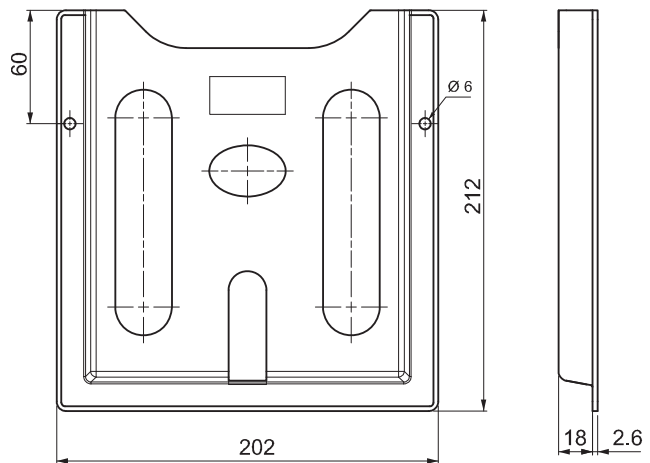
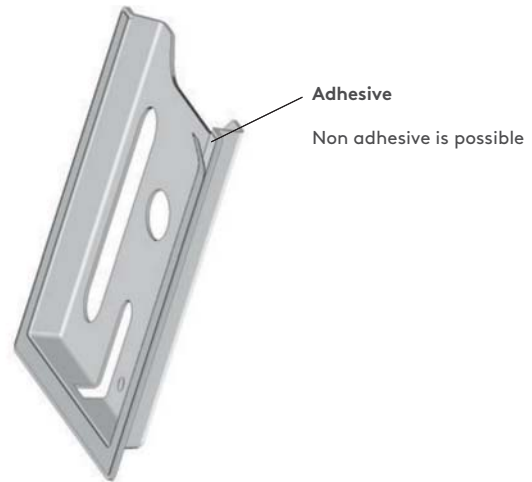
- For A4 size documents. Self adhesive. For special colours or logo, please contact Essentra

**MATERIAL**  
Polystyrene MFI 3-4

**COLOR**  
RAL 7035

## DRAWING POCKET (A5)

2152



- For A5 size documents. Self adhesive. For special colours or logo, please contact Essentra

**MATERIAL**  
Polystyrene MFI 3-4

**COLOR**  
RAL 7035

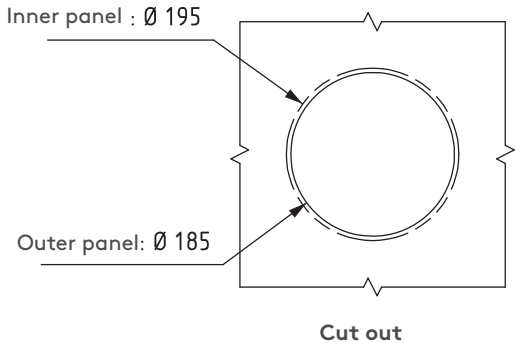
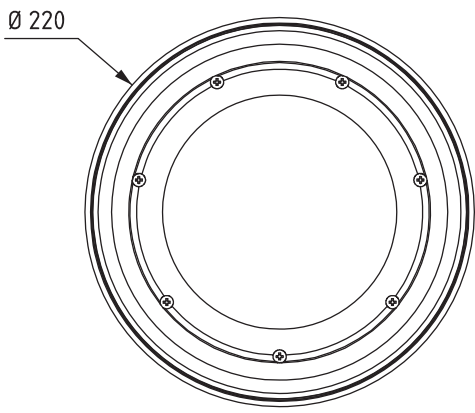
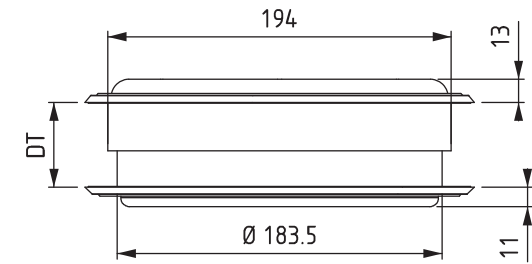
2220

CIRCULAR INSPECTION WINDOW

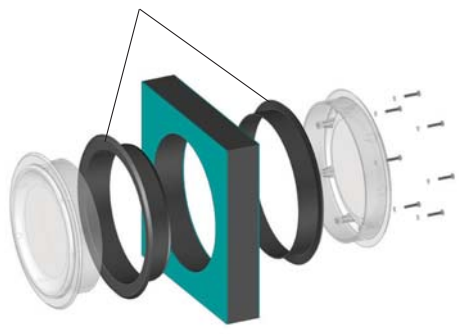


- Visual inspection of HVAC enclosures
- Adjustable for 30-60 mm isolated doors
- Mounting with 7 screws

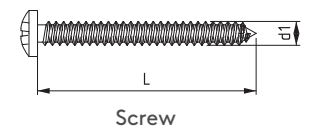
**MATERIAL**  
 WINDOW: Polycarbon  
 GASKET: Termo rubber



**V : 1**  
 Gaskets



**V : 2**  
 Bellows gasket



**PRODUCT CODE**  
 2220 - DT - V  
 GROUP CODE DOOR THICKNESS VERSION

DT	D1	L	STOCK CODE
30	4.2	38	306.03.138
40	4.2	45	306.03.304
50	4.2	50	306.03.305
60	4.2	60	306.03.306

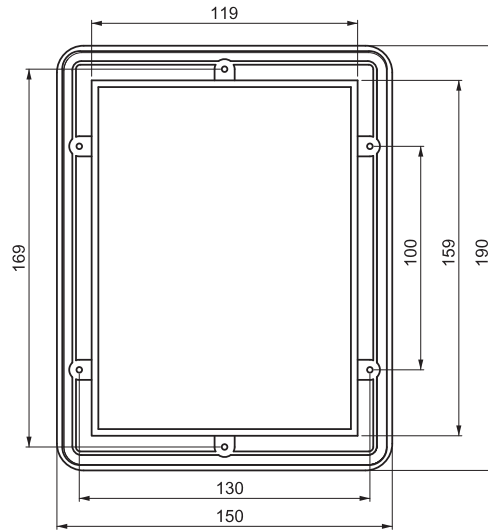
# ▶ ACCESSORIES

## COUNTER SCREEN

2216



- Allows counters or dials to be viewed from outside enclosure.

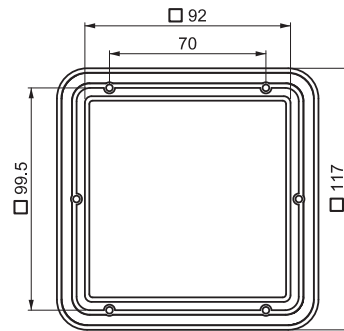


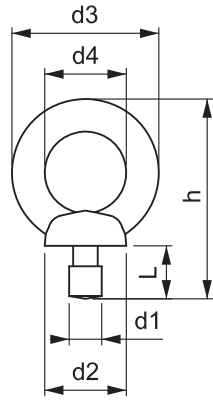
## COUNTER SCREEN

2215



- Allows counters or dials to be viewed from outside enclosure.



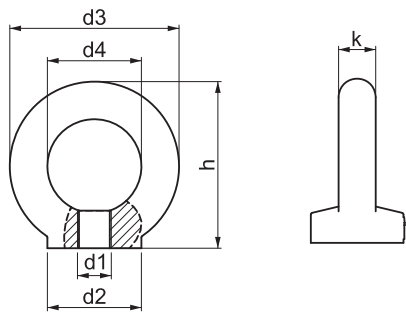


d1	Safety Load (90°)	d2 mm	d3 mm	d4 mm	h mm	L mm	Unit weight	PRODUCT CODE
M8	140	20	36	20	49.0	13.0	0.06	2451
M10	230	25	45	25	63.0	17.0	0.10	2452
M12	340	30	54	30	73.5	20.5	0.18	2453
M14	490	35	63	35	87.0	27.0	0.28	2454
M16	700	35	63	35	89.0	27.0	0.28	2455

EYEBOLT



- Enable enclosure or machine to be moved easily.

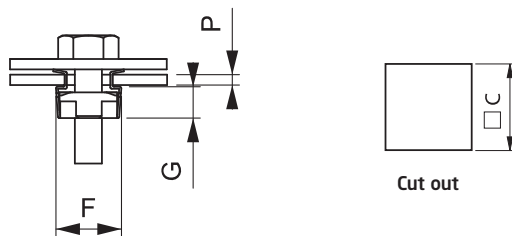


d1	Safety Load (90°)	d2 mm	d3 mm	d4 mm	h mm	k mm	Unit weight	PRODUCT CODE
M8	140	20	36	20	36	8	0.06	2461
M10	230	25	45	25	45	10	0.09	2462
M12	340	30	54	30	53	12	0.16	2463

EYEBOLT



- Enable enclosure or machine to be moved easily.



CAGE NUT



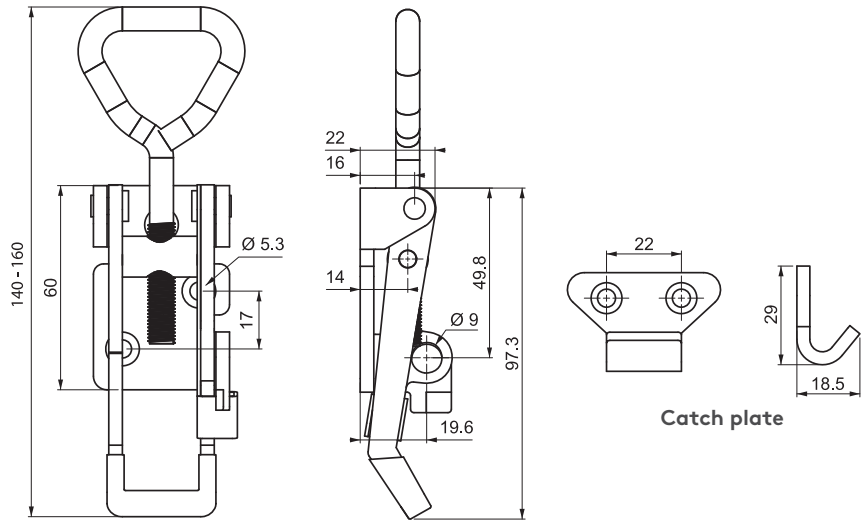
- Designed for attaching two steel plates

Screw	Nut	P	G	F	C	PRODUCT CODE
M5	11x11x4.5	1.7 ~ 2.5	36	20	49.0	2400
M6	11x11x4.5	25	45	25	63.0	2401
M8	14x14x5.5	3.3 ~ 4.1	54	30	73.5	2402

# ACCESSORIES

## TOGGLE LATCH

340.00.135

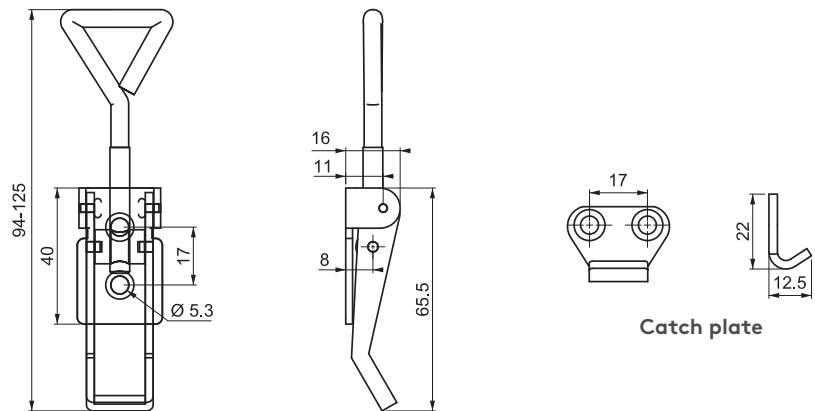


- Adjustable type draw latch.
- Padlockable version
- Used with a special catch plate

**MATERIAL AND FINISH**  
Steel - Zinc Plated

## TOGGLE LATCH

340.00.133

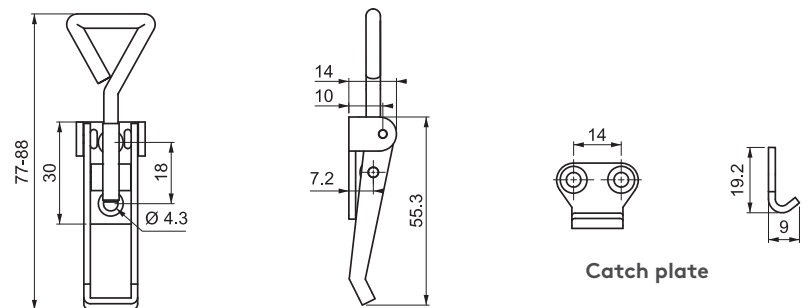


- Used for tool boxes, cabinets

**MATERIAL AND FINISH**  
Steel - Zinc Plated

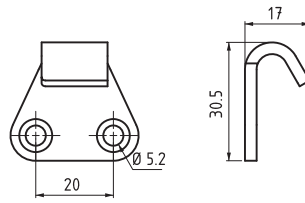
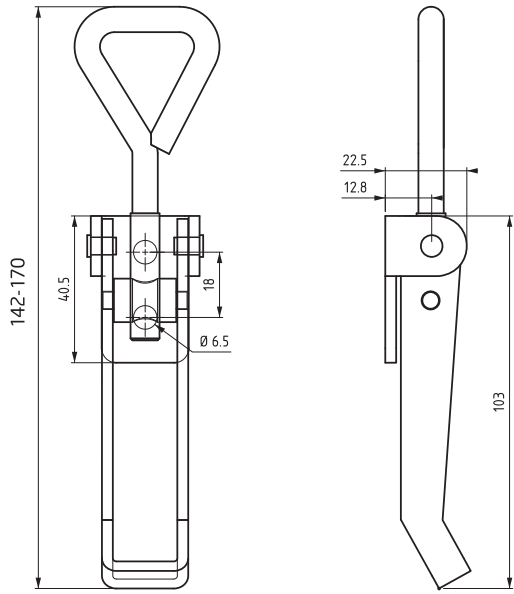
## TOGGLE LATCH

340.00.131



- Used for tool boxes, cabinets

**MATERIAL AND FINISH**  
Steel - Zinc Plated



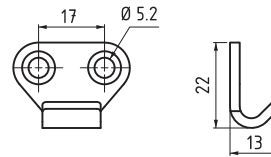
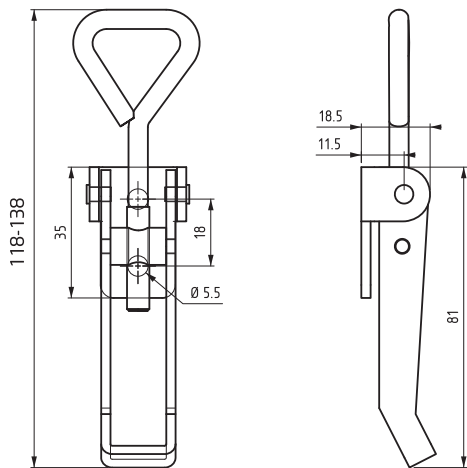
Catch plate

2702

TOGGLE LATCH



MATERIAL AND FINISH  
Steel -Zinc Plated



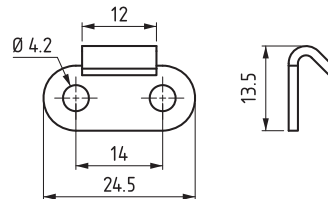
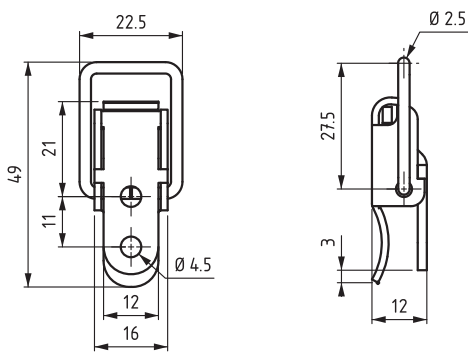
Catch plate

2701

TOGGLE LATCH



MATERIAL AND FINISH  
Steel -Zinc Plated



Catch plate

2700

TOGGLE LATCH



MATERIAL AND FINISH  
Steel -Zinc Plated

PRODUCT CODE



GROUP CODE MATERIAL FINISH



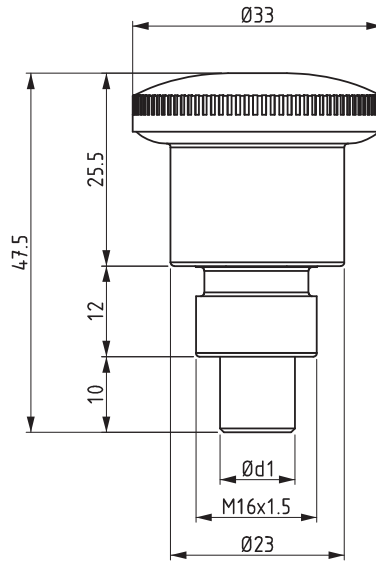
MINI INDEXING PLUNGERS



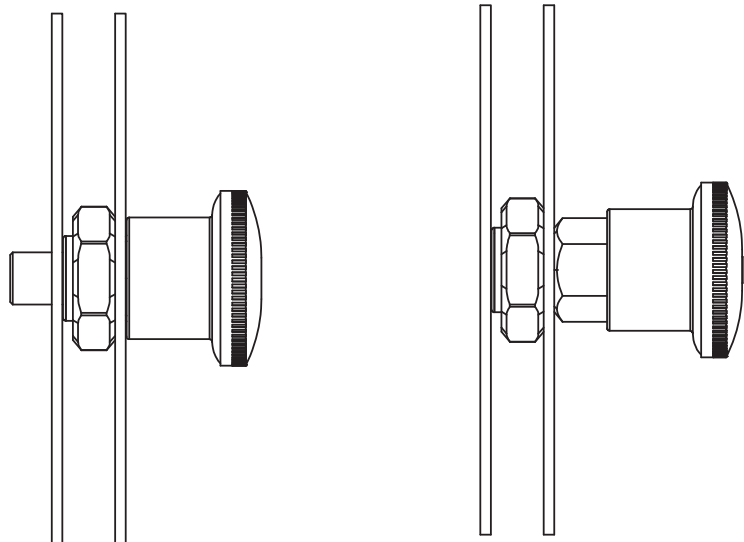
- Suitable for assembly on thin sheets.

MATERIAL

**KNOB** : Polyamide DIN EN ISO 1043-1 PA6 GFR 30  
**BODY** : Steel  
**NUT** : Steel  
**PIN** : Stainless Steel  
**Finish** : Zinc Plated

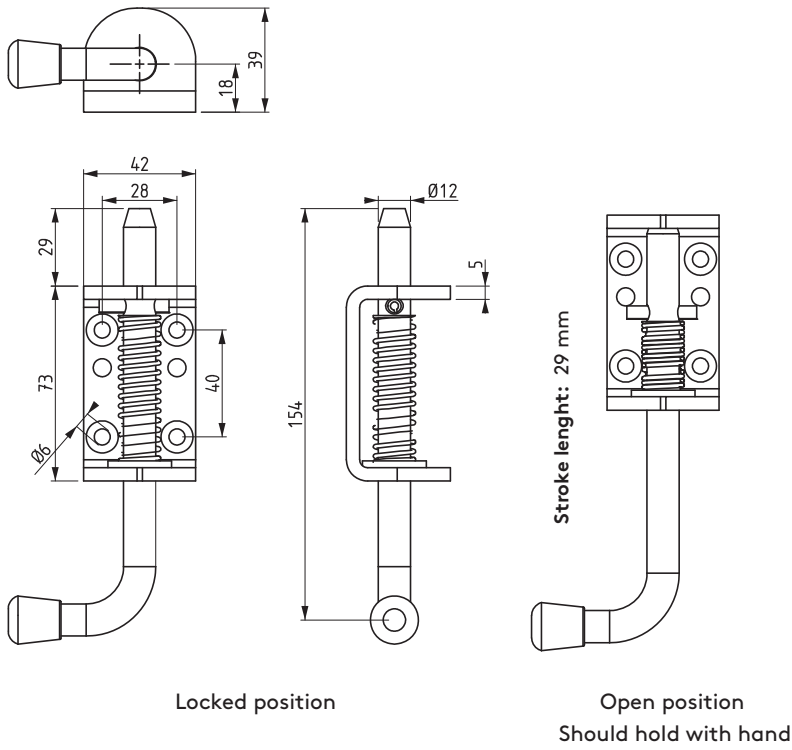


Product code	Ød1	Stroke
2760	10	10
2761	8	8
2762	6	6



Locked position

Open position



2750

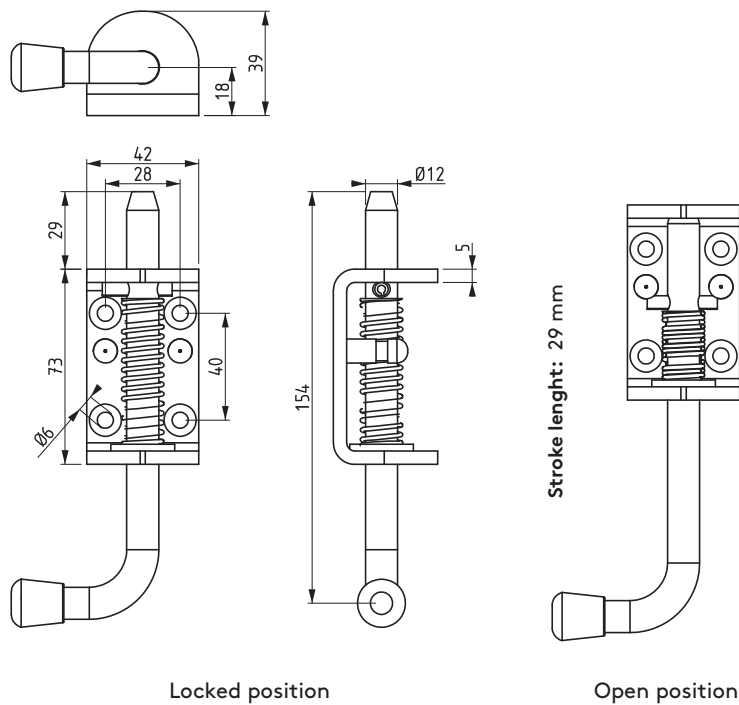
SPRING LOADED LATCH WITHOUT STUD



- Versatile galvanized steel latch great for wood or metal application.

MATERIAL

Body : Steel  
Pin : Steel  
Finish : Zinc Plated



2751

SPRING LOADED LATCH WITH STUD

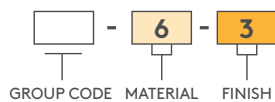


- Pin system allows for the latch to be locked in the open position.
- Non-directional.

MATERIAL

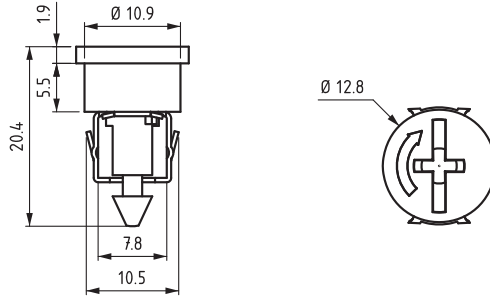
Body : Steel  
Pin : Steel  
Finish : Zinc Plated

PRODUCT CODE



SCREW

340.02.430



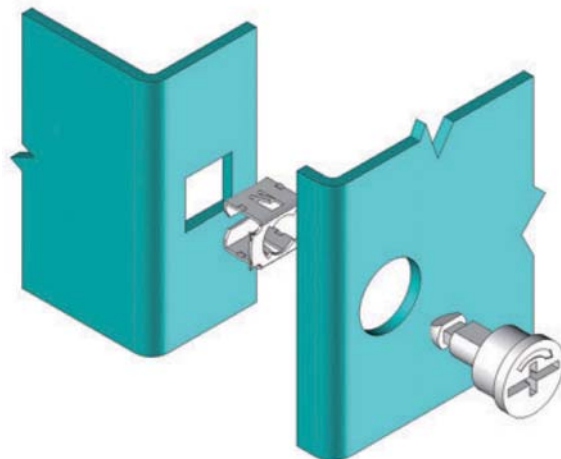
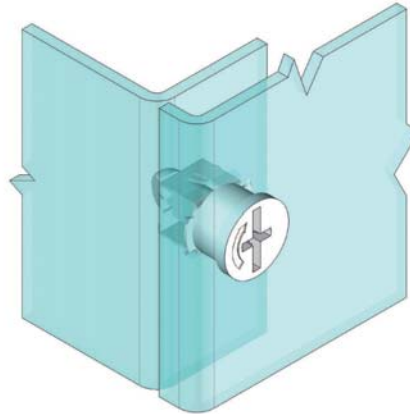
- Provides easy fixing with quarter turn

**MATERIAL**

SCREW: Zinc Alloy DIN-EN  
1774-ZnAl4Cu11  
CATCH PLATE : Steel

**FINISH**

Zinc plated

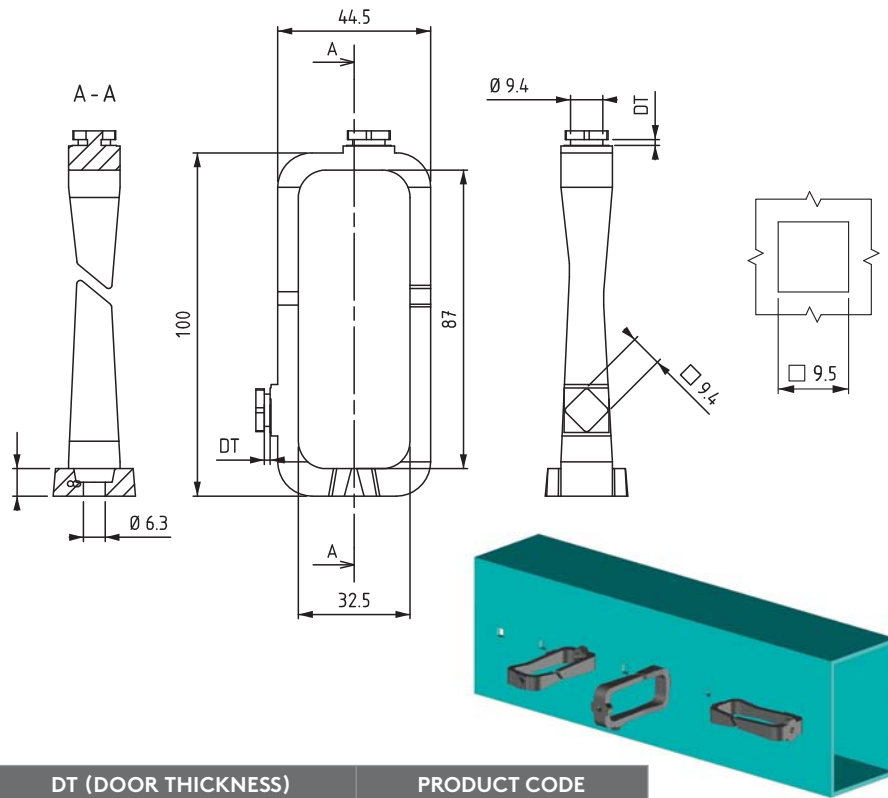


CABLE SHUNTING RING



- Quick fixing in a square hole by turning 45 degrees
- Mounting by M6 Screw as an option
- Install horizontally or vertically

**MATERIAL**  
PA 6 Black



DT (DOOR THICKNESS)	PRODUCT CODE
1.3 - 1.5 mm thickness panel	320.02.164
1.6 - 2.0 mm thickness panel	320.02.165

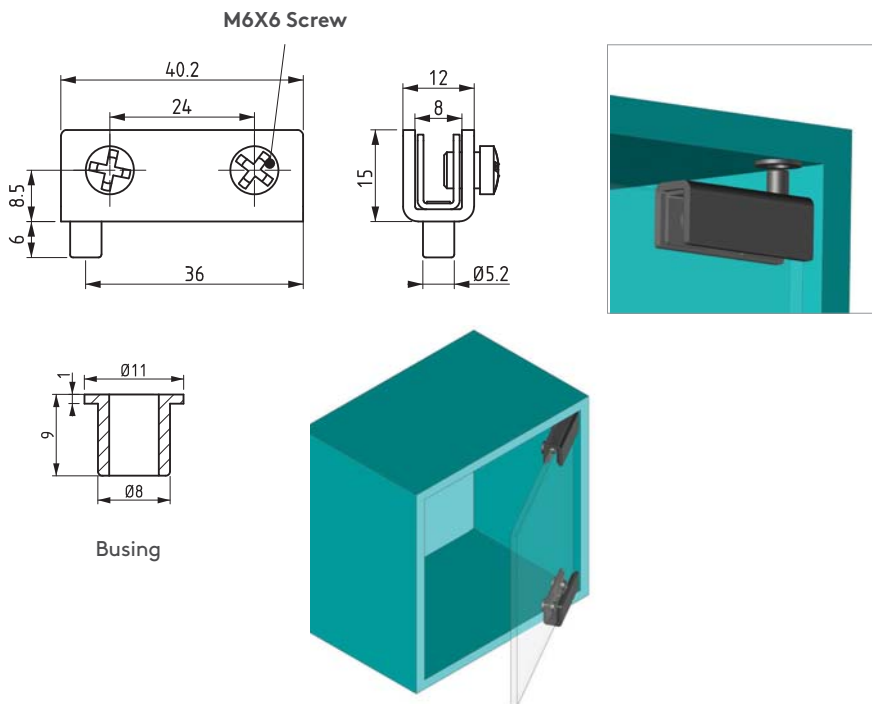
025

GLASS HINGE

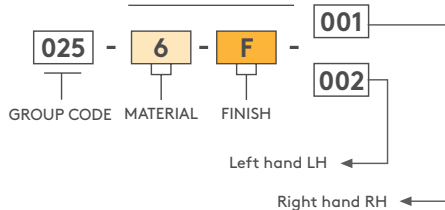


- Suitable for glass thickness max. 6 mm
- The glass is safe from damage between the plastic plates and the steel screw

**MATERIAL**  
Body : Steel  
Screw : Steel  
Busing : Delrin



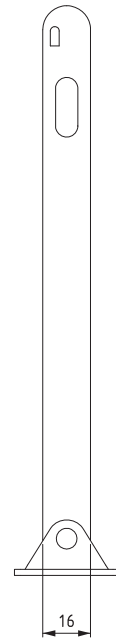
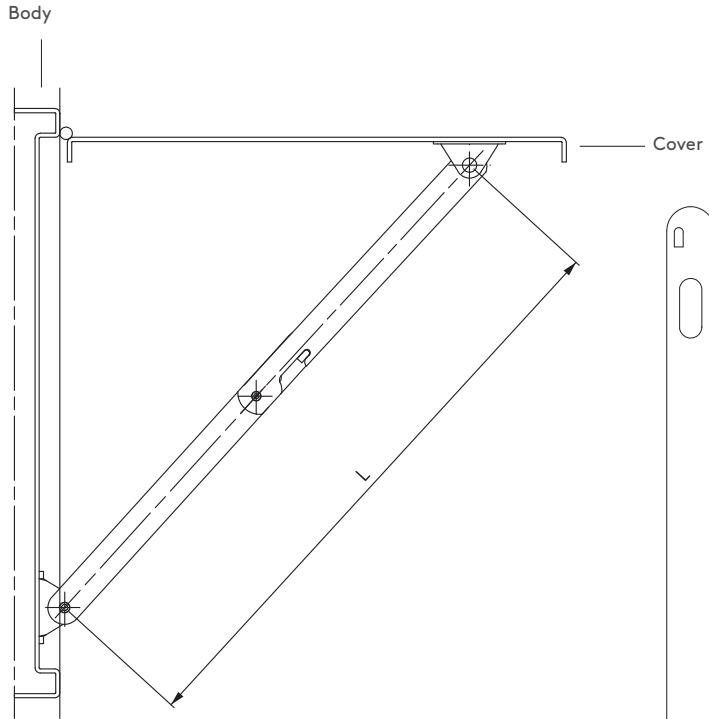
PRODUCT CODE



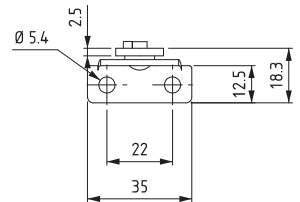
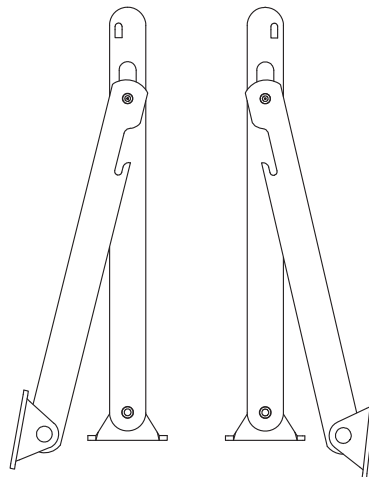
FINISH	F
Nickel	4
Black coated	2

COVER STAY

079



LEFT RIGHT

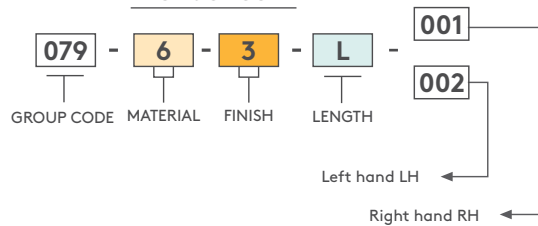


Lmm
292
202
135

**MATERIAL**  
Steel  
**FINISH**  
Zinc plated

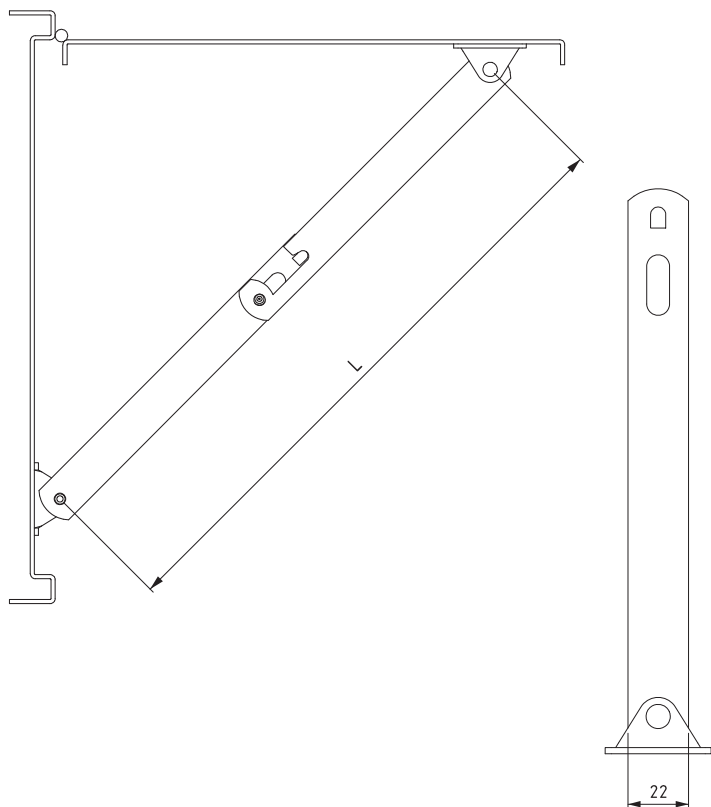
• Stainless steel version: page 520

PRODUCT CODE



279

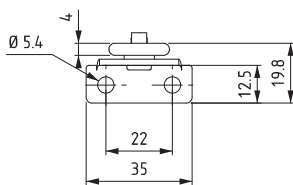
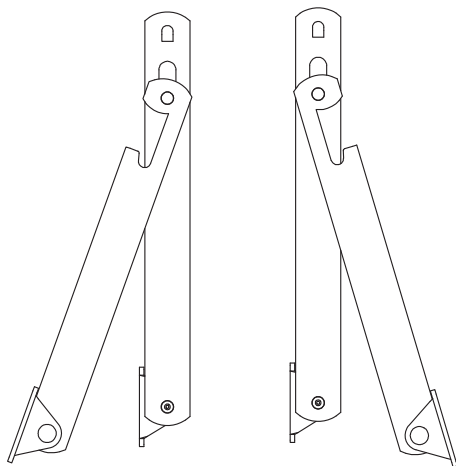
COVER STAY



- Stainless steel version: page 519
- Suitable for heavy-duty applications
- Manufactured using 4 mm thick steel

RIGHT

LEFT

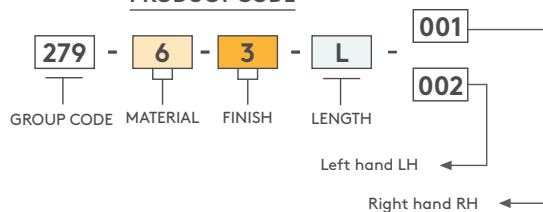


Lmm
292
202
135

**MATERIAL**  
Steel

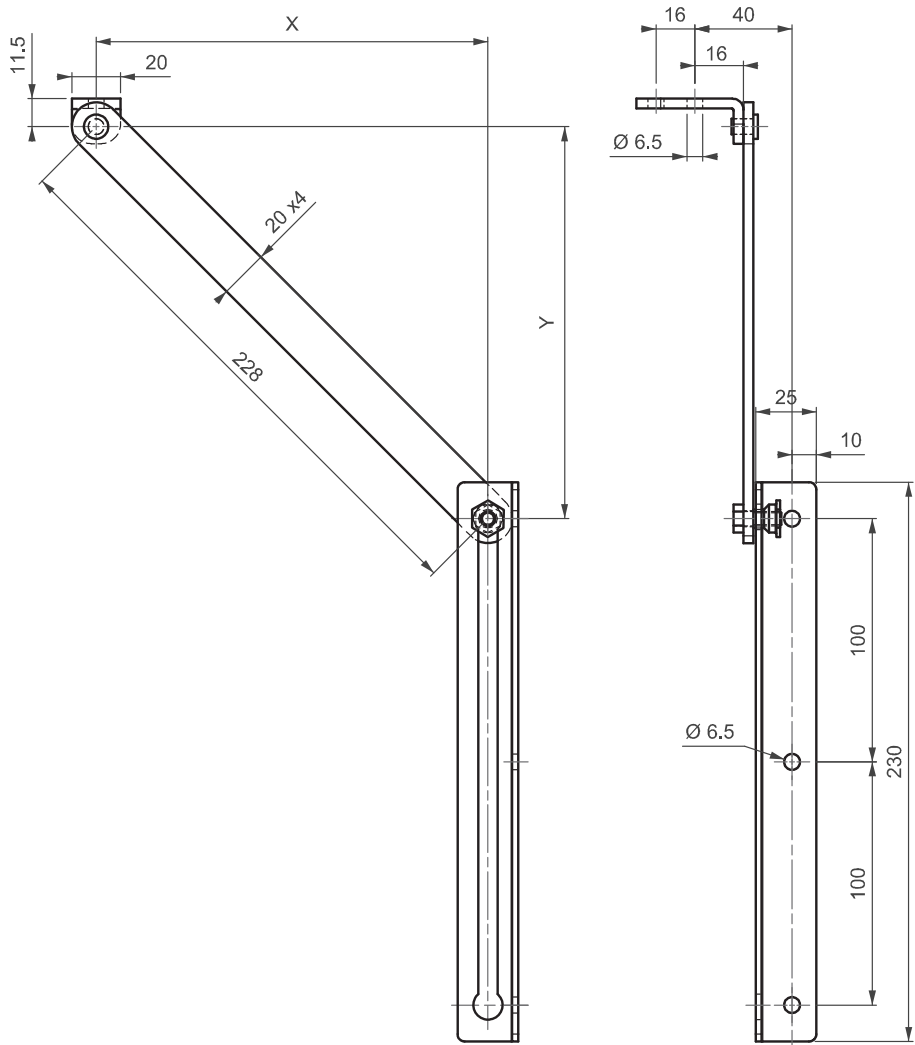
**FINISH**  
Zinc plated

PRODUCT CODE



COVER STAY

179



- Stainless steel version: page 521
- Cover Stay with automatic lock to keep the door open
- LH and RH application is possible

**MATERIAL**

Steel

**FINISH**

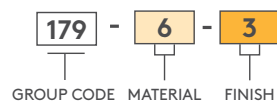
Zinc plated

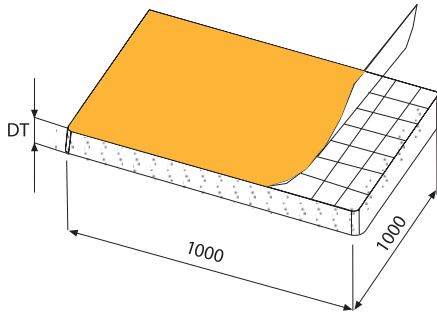
Installation dimensions

OPENING ANGLE	DIMENSIONS		MINIMAL DOOR WIDTH
	X	Y	
90°	140	180	405
105°	120	166	390
120°	110	150	375
135°	100	146	370

For other configurations:  
y = X + min.40

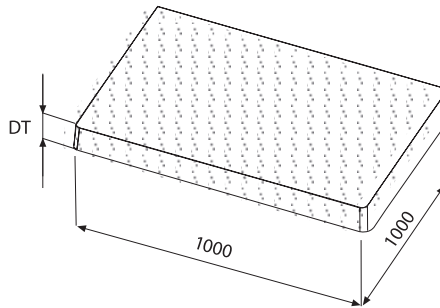
PRODUCT CODE





Self - adhesive

DT MM	PRODUCT CODE
30	340.10.046
40	340.10.047
50	340.10.048



Non - adhesive

DT MM	PRODUCT CODE
30	340.10.066
40	340.10.067
50	340.10.068

ACOUSTIC SPONGE  
(FLAT TYPE)

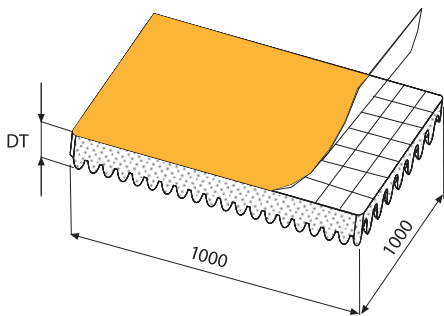


- With or without Adhesive band at back side is available
- Can be supplied as plate or Roll type.
- Provides sound and heat isolation
- Flame retardant properties
- Can be used between -30 , +130 °C
- Please contact Essentra for different sizes

**MATERIAL**  
Polyurethane

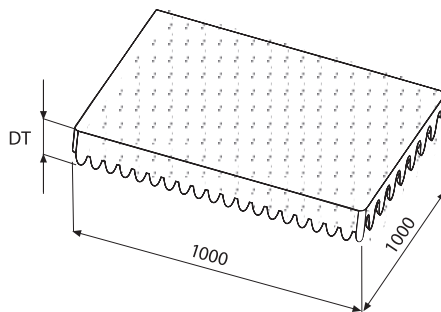
**COLOR**  
Black

ACOUSTIC SPONGE  
(FORMED TYPE)



Self - adhesive

DT MM	PRODUCT CODE
30/15	340.10.006
40/20	340.10.007
50/25	340.10.008



Non - adhesive

DT MM	PRODUCT CODE
30/15	340.10.026
40/20	340.10.027
50/25	340.10.028



- With or without Adhesive band at back side is available
- Can be supplied as plate or Roll type.
- Provides sound and heat isolation
- Flame retardant properties
- Can be used† between -30 , +130 °C
- Please contact Essentra for different sizes

**MATERIAL**  
Polyurethane

**COLOR**  
Black



## DIAPHRAGM GROMMETS



- For use as a blanking grommet prior to installation of cables
- The membrane is drilled while using as a wire protector
- Produced from NBR rubber
- Suitable for different wire diameters

### APPLICATIONS

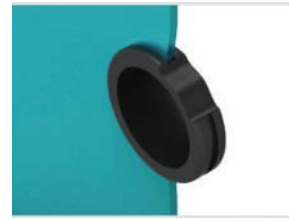
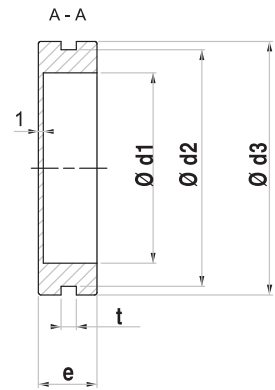
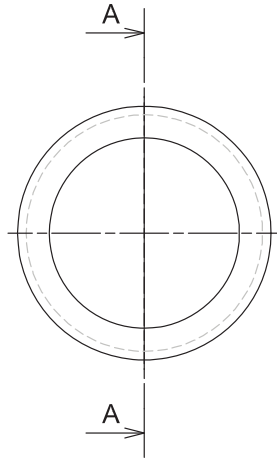
Electric panels

### MATERIAL

NR Rubber, or TP

### COLOR

Black



Ø D1 MM	Ø D2 MM	Ø D3 MM	T MM	E MM	PRODUCT CODE
29	36	43	3.5	11.5	340.00.370
39	48.5	52	3.2	12	340.00.371
48.5	57	63.5	3.5	14	340.00.372

## DIAPHRAGM GROMMETS



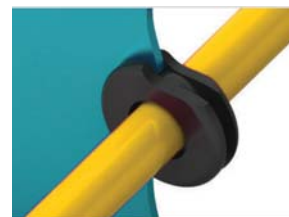
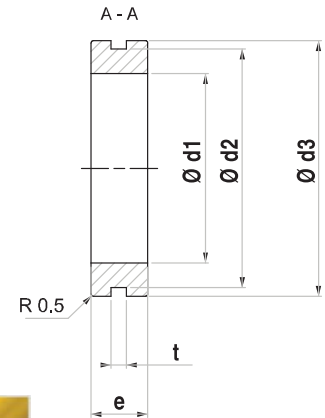
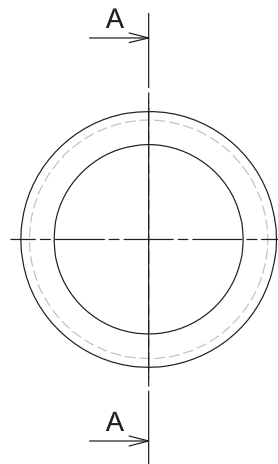
- Used for protecting wires and cables passing through the panel holes.
- Design provides easy fixing of grommet

### MATERIAL

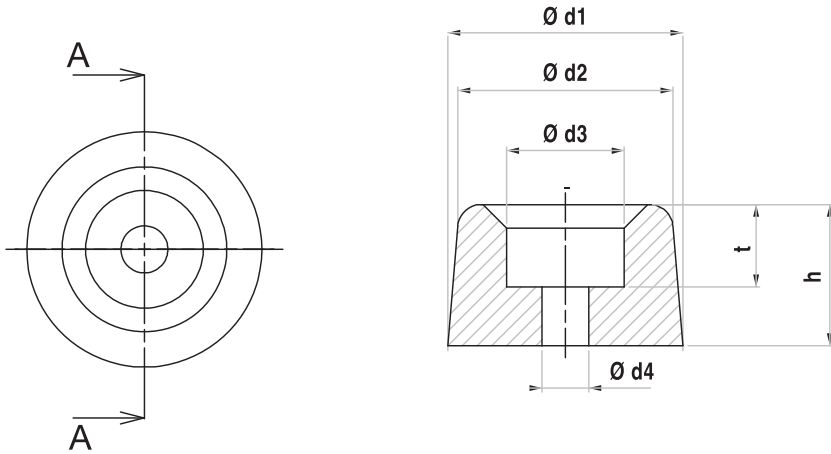
NR Rubber, or TP

### COLOR

Black



Ø D1 MM	Ø D2 MM	Ø D3 MM	T MM	E MM	PRODUCT CODE
13.5	19.5	27	3.2	8	340.00.380
20	25	30	3.5	11.5	340.00.381
23.5	29	34	3.5	11.5	340.00.382
38.5	48.5	52	3.2	11.5	340.00.383



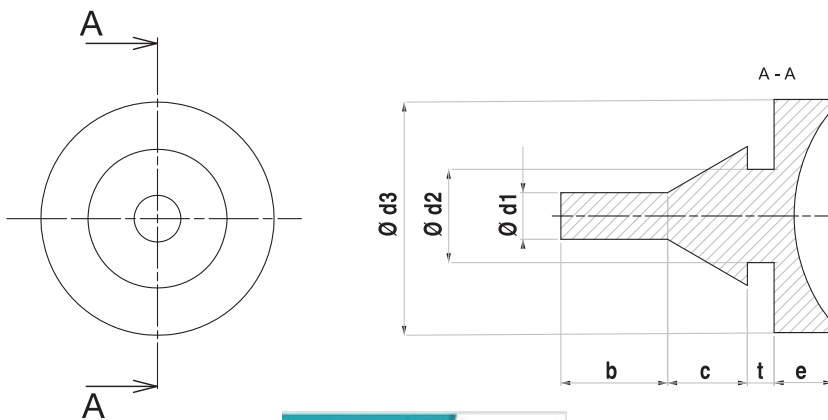
Ø D1 MM	Ø D2 MM	Ø D3 MM	Ø D4 MM	T MM	E MM	PRODUCT CODE
20	18	10	4	7	12	340.08.010
20	19	10	4	8	22.5	340.08.011
30	25	14	4	20	30	340.08.012
40	38	13	6	12	32	340.08.013

RUBBER STOPPER



- Prevents damage to doors
- Design provides easy fixing of grommet.

**MATERIAL**  
NR Rubber, or TP  
**COLOR**  
Black



Ø D1 MM	Ø D2 MM	Ø D3 MM	T MM	B MM	C MM	E MM	PRODUCT CODE
2.5	4	14	2.5	13.5	3.5	8	340.00.400
4	7	17.5	1.5	8.5	6	5	340.00.401
4	7	18	2	8.5	6	6	340.00.402

RUBBER PLUG



- For use as a blanking grommet prior to installation of cables
- Suitable for different sheet thickness and diameters
- Design provides easy fixing

**MATERIAL**  
NR Rubber, or TP  
**COLOR**  
Black

DOOR HOLDBACK

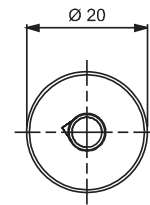
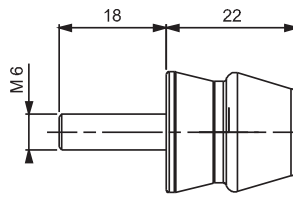
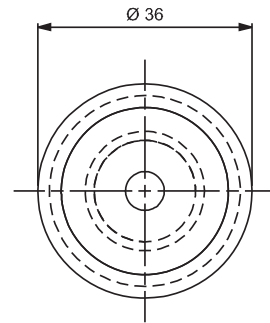
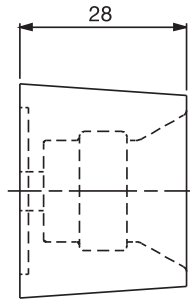
340.08.001



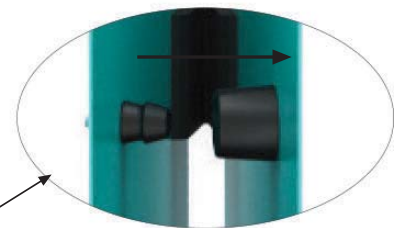
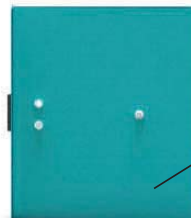
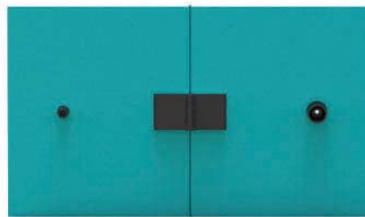
- Provides good shock absorbing properties while the door contacts with frame of the cabinet
- Keeps the door at open position and can be used instead of cover stays
- Suitable for outdoor cabinets with high corrosion resistance

**MATERIAL**  
NBR Rubber

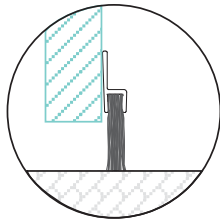
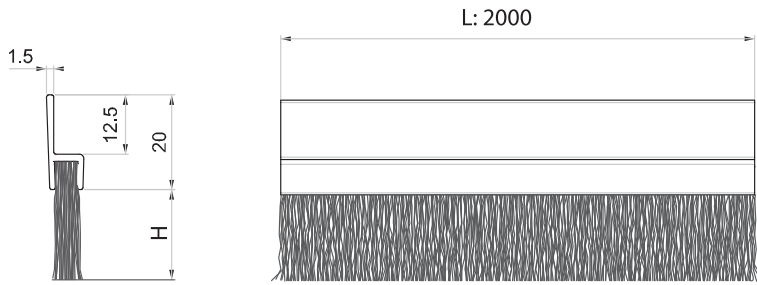
**COLOR**  
Black



Cover      Body



**DOOR BOTTOM BRUSHES  
(Screw type)**

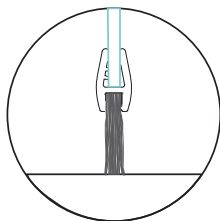
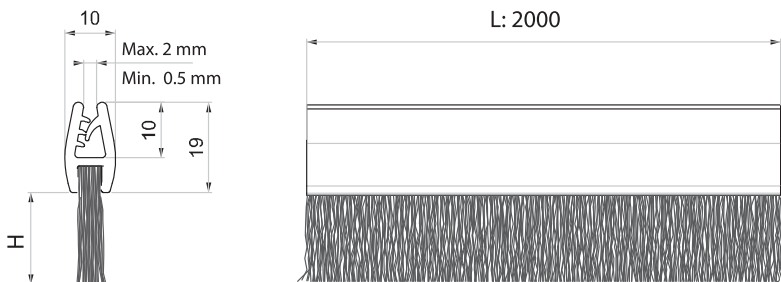


H MM	PRODUCT CODE
40	340.20.005
50	340.20.006
60	340.20.007
70	340.20.008
80	340.20.009
90	340.20.010
100	340.20.011

- Can be fixed with screw
- Fixing plate is made of Aluminium
- Do not allow dust to go through the cabinets
- Please contact Essentra for different sizes

**MATERIAL**  
BODY : Aluminium

**DOOR BOTTOM BRUSHES  
(plug-in type)**



H MM	PRODUCT CODE
40	340.20.025
50	340.20.026
60	340.20.027
70	340.20.028
80	340.20.029
90	340.20.030
100	340.20.031

- Can be fixed by plugging in to the door
- Do not allow dust to go through the cabinets
- Please contact Essentra for different sizes

**MATERIAL**  
BODY : Plastic