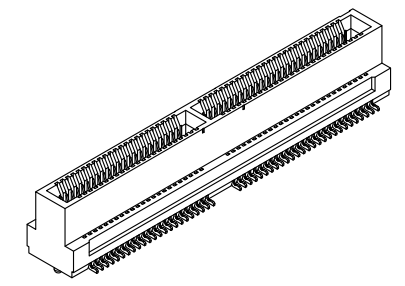
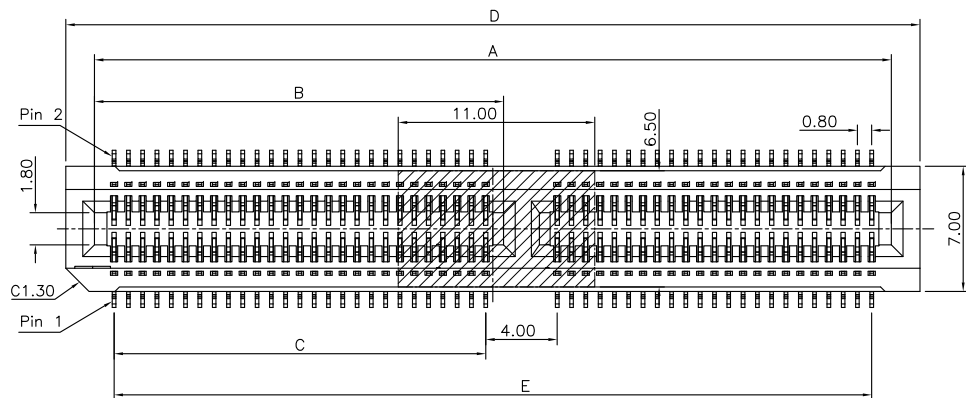


REV.	SPECIFICATION	ECN NO.	APPD.
X3			

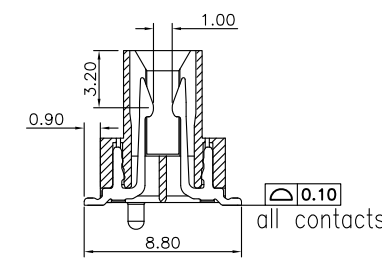
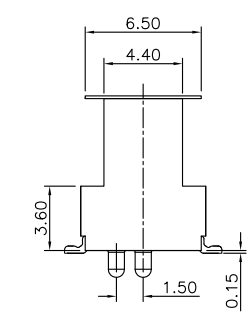
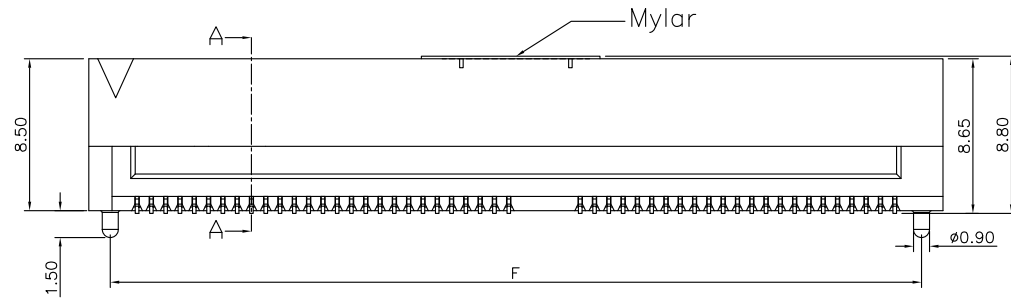


**Material and Plating:**  
 Housing: LCP, UL94V-0 Black.  
 Contacts: Phosphor Bronze.  
 Gold Plated on Contact Area and 80u"Min Tin Plated on Solder tail over Nickel 50u" Min .

**Electrical Characteristics:**  
 Current Rating: 1.8A @ 30°C Temperature Rise.  
 Dielectric Withstanding Voltage: AC 600V For 1 minute.  
 Insulator Resistance: 100000MΩ min. at DC 500V.  
 Contact Resistance: 15.8mΩ max. at DC 100mA.  
 Operating Temperature: -55°C~+125°C.

**\*RoHS Compliant**

Insertion Depth: 4.22mm To 5.66mm.  
 Mates With: 1.60±0.1mm Thick Edge Card.  
 Speed: 18Gbps @-3dB.



Section A-A

8208- 2 X xx C 30 D P 1 T -S

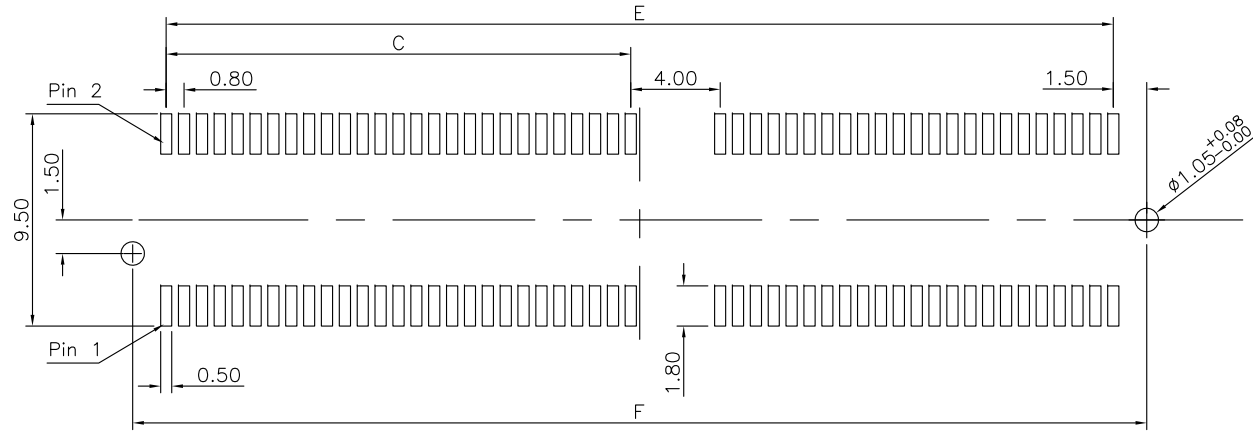
Series ———  
 Double Row ———  
 Position Per Row ———  
 C: Selective Gold Plated  
 00: 00µ"  
 10: 10µ"  
 15: 15µ"  
 30: 30µ"

D: SMD Type  
 P: With Post  
 N: Without Post  
 1: With Front Key  
 T: Tape&Reel Packaging  
 U: Tube Packaging  
 S: Mylar  
 P: Plastic Pad

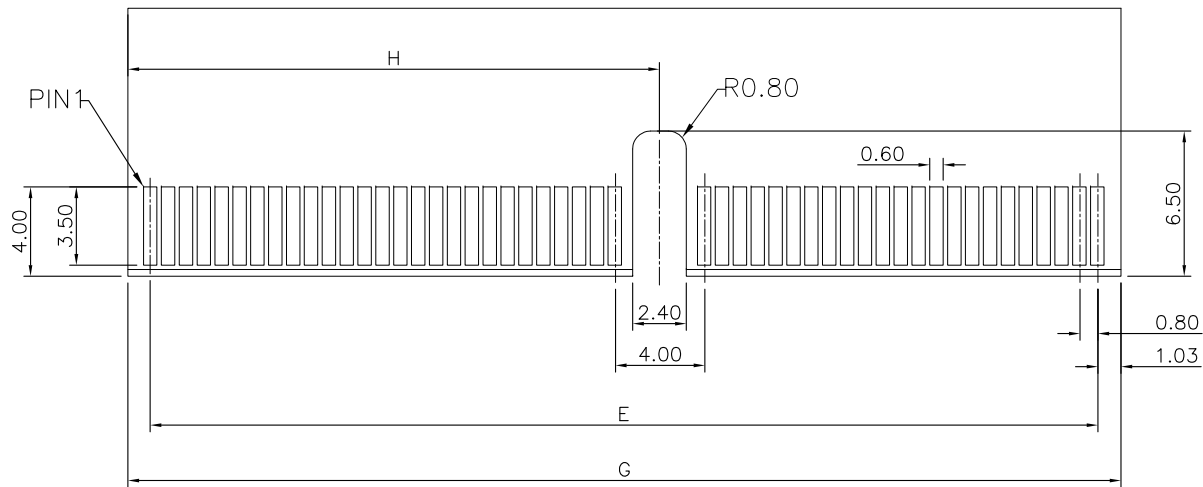
Position	**Available Position Dimension							
	A	B	C	D	E	F	G	H
80	36.60	18.90	16.80	39.80	34.40	37.40	36.45	19.83
90	40.60	20.50	18.40	43.80	38.40	41.40	40.45	21.43
• 100	44.60	22.90	20.80	47.80	42.40	45.40	44.45	23.83
120	52.60	30.90	24.80	55.80	50.40	53.40	52.45	27.83
140	60.60	60.60	28.80	63.80	58.40	61.40	60.45	31.83

<b>Tolerances</b>	<b>Dwg. No.</b>	8208-D0000-013	<b>Title:</b>	 OUPIIN ELECTRONIC(KUNSHAN) CO., LTD. P/N: 8208-2XxxC30DP1T-S SHEET 1/2 Ver.No. X3
x = ±0.50	<b>Projection</b>		8208 Series	
.x = ±0.25	<b>Unit</b>	mm	Edge Card Connector	
.xx = ±0.15	<b>Scale</b>	1:1	0.80mm (0.0315") Pitch SMD Type	
	<b>Drawn By</b>	ZY 3/14'22	<b>®(T)</b>	

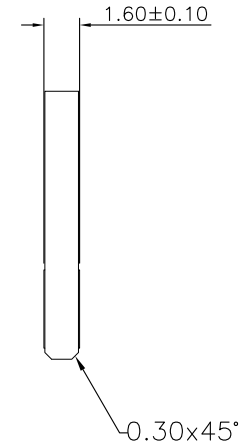
REV.	SPECIFICATION	ECN NO.	APPD.
X3			


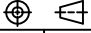


P.C. Board Layout  
(Tolerance  $\pm 0.05$ )



RECOMMENDED MATTING BOARD FOOTPRINT  
(Tolerance:  $\pm 0.05$ )



<b>Tolerances</b> x = $\pm 0.50$ .x = $\pm 0.25$ .xx = $\pm 0.15$	<b>Dwg. No.</b> 8208-D0000-013		<b>Title:</b>		 <b>OUPIIN ELECTRONIC(KUNSHAN) CO., LTD.</b> <b>P/N:</b> 8208-2XxxC30DP1T-S <b>SHEET</b> 2/2 <b>Ver.No.</b> X3
	<b>Projection</b> 		8208 Series Edge Card Connector		
	<b>Unit</b> mm	<b>Scale</b> 1:1	0.80mm (0.0315") Pitch SMD Type		
	<b>Drawn By</b> ZY 3/14'22	$\text{\textcircled{T}}$			

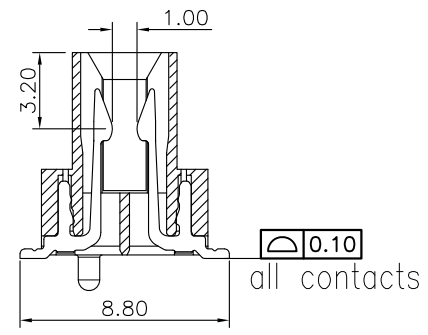
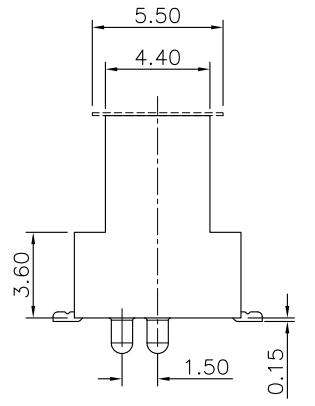
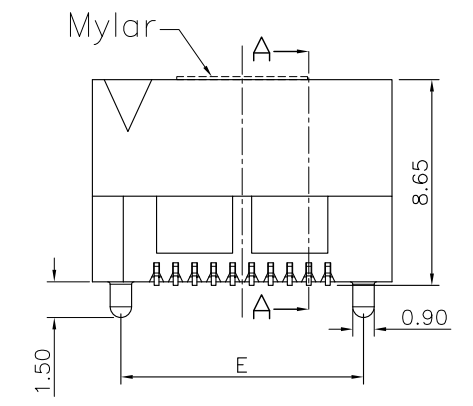
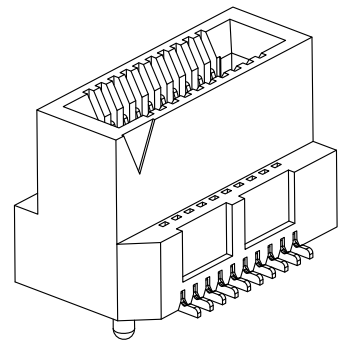
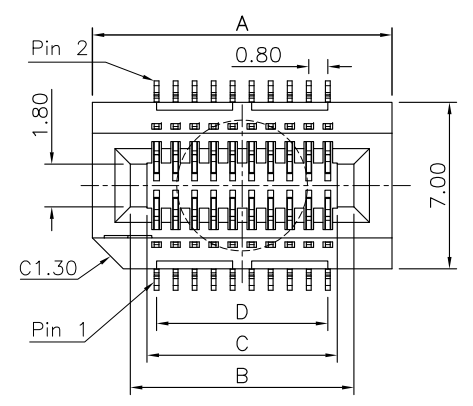
REV.	SPECIFICATION	ECN NO.	APPD.
X2			

**Material:**  
**Housing:** High Temperature Plastic, UL94V-0.  
**Contacts:** Copper Alloy.

**Electrical Characteristics:**  
**Current Rating:** 1.8A @ 30°C Temperature Rise.  
**Dielectric Withstanding Voltage:** AC 600V For 1 minute.  
**Insulator Resistance:** 100000MΩ min. at DC 500V.  
**Contact Resistance:** 15.8mΩ max. at DC 100mA.  
**Operating Temperature:** -55°C~+125°C.

**\*RoHS Compliant**

**Insertion Depth:** 4.22mm To 5.66mm.  
**Mates With:** 1.60±0.1mm Thick Edge Card.  
**Speed:** 18Gbps @-3dB.



Section A-A

8208- 2 X xx C 30 D P T - S

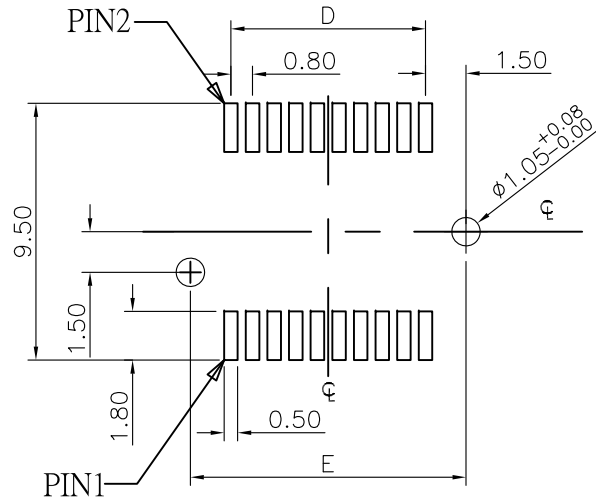
Series: 8208-  
 Double Row: 2 X  
 Position Per Row: xx  
 C: Selective Gold Plated  
 00: 00μ"  
 10: 10μ"  
 15: 15μ"  
 30: 30μ"

S: Mylar  
 P: Plastic Pad  
 Blank: Without Pad  
 T: Tape & Reel Package  
 U: Tube Package  
 P: With Post  
 N: Without Post  
 D: SMD Type

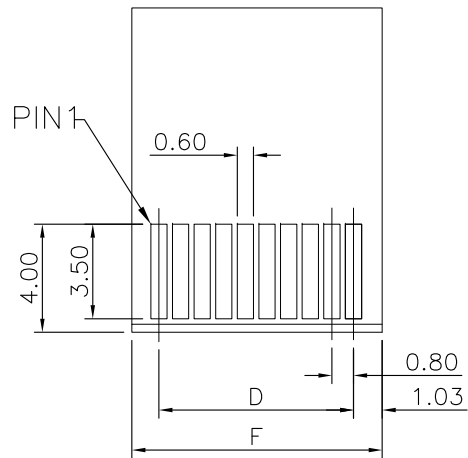
Position		**Available Position					
		Dimension					
		A	B	C	D	E	F
*	20	12.60	9.40	8.00	7.20	10.20	9.26
*	40	20.60	17.40	16.00	15.20	18.20	17.25
	60	28.60	25.40	24.00	23.20	26.20	25.25
	70	32.60	29.40	28.00	27.20	30.20	29.25

<b>Tolerances</b>	<b>Dwg. No.</b> 8208-D0000-014	<b>Title:</b>	<b>OUPIN</b> OUPIN ELECTRONIC(KUNSHAN) CO., LTD. P/N: 8208-2XxxC30DPT-S
x = ±0.50	<b>Projection</b>	8208 Series	
.x = ±0.25	<b>Unit</b> mm	Edge Card Connector	
.xx = ±0.15	<b>Scale</b> 1:1	0.80mm (0.0315") Pitch SMD Type	
	<b>Drawn By</b> MXM 11/27'17	©(r)	<b>SHEET</b> 1/2 <b>Ver.No.</b> X2

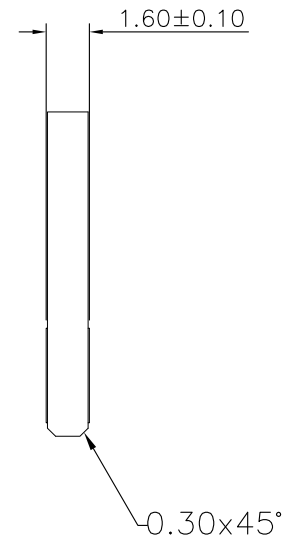
REV.	SPECIFICATION	ECN NO.	APPD.
X2			


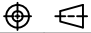
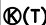


P.C. Board Layout  
(Tolerance  $\pm 0.05$ )



RECOMMENDED MATTING BOARD FOOTPRINT  
(Tolerance:  $\pm 0.05$ )



<b>Tolerances</b> x = $\pm 0.50$ .x = $\pm 0.25$ .xx = $\pm 0.15$	<b>Dwg. No.</b>	8208-D0000-014		<b>Title:</b> 8208 Series Edge Card Connector 0.80mm (0.0315") Pitch SMD Type				 <b>OUPIIN ELECTRONIC(KUNSHAN) CO., LTD.</b>			
	<b>Projection</b>										
	<b>Unit</b>	mm	<b>Scale</b>	1:1	<b>SHEET</b>	2/2	<b>Ver.No.</b>	X2			
	<b>Drawn By</b>	MXM 11/27'17		 (r)							