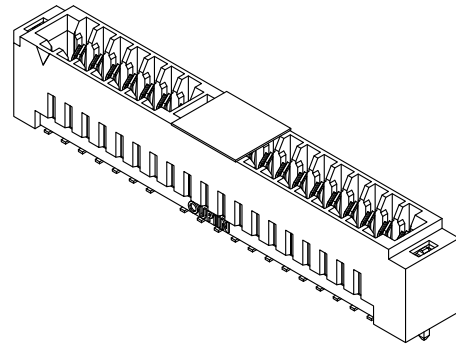
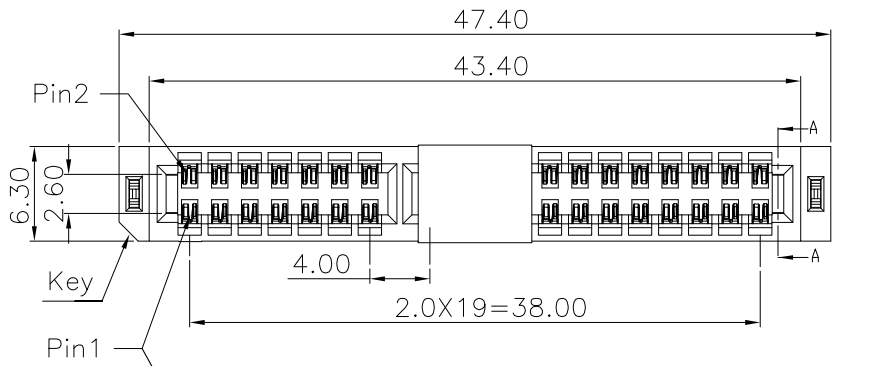


1 2 3 4 5 6 7 8 9 10 11 12

REV.	SPECIFICATION	ECN NO.	APPD.
R5		ECN2401--	



Materials and Plating:

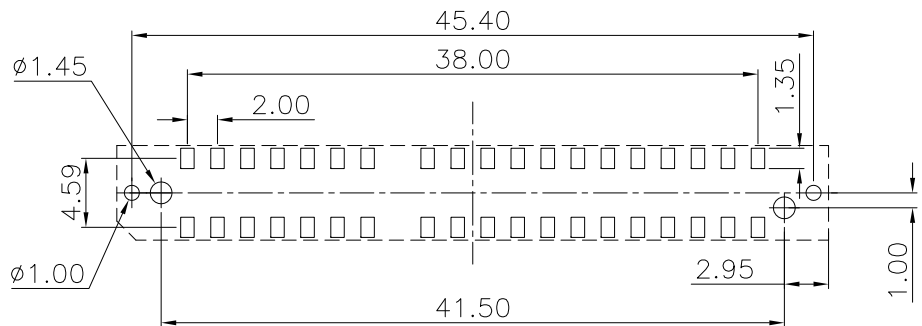
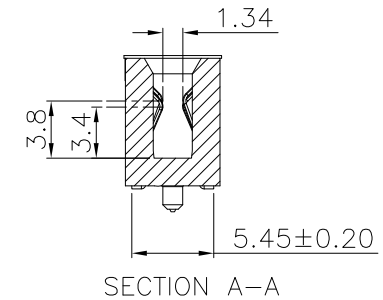
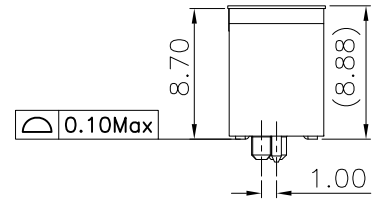
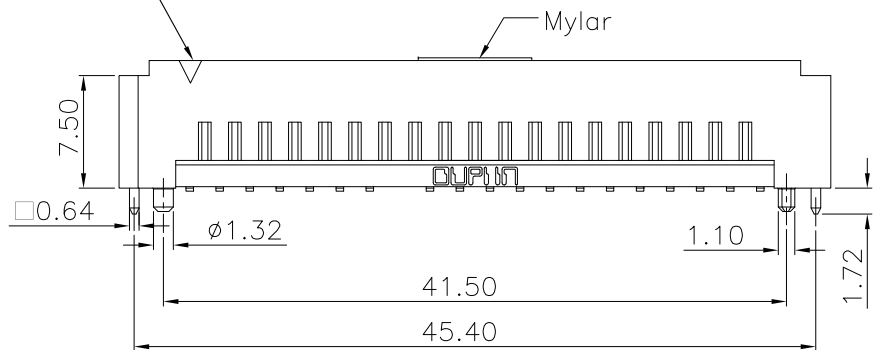
Housing: LCP, UL94V-0, Beige.
Contacts: High Performance Copper Alloy
 Gold Plated on Contact Area and 80u" Min Matte Tin Plated on solder tail over Nickel 50u"Min.
Lock: Barss
 80u" Min Matte Tin Plated on solder tail over Nickel 50u"Min.

Electrical Characteristics:

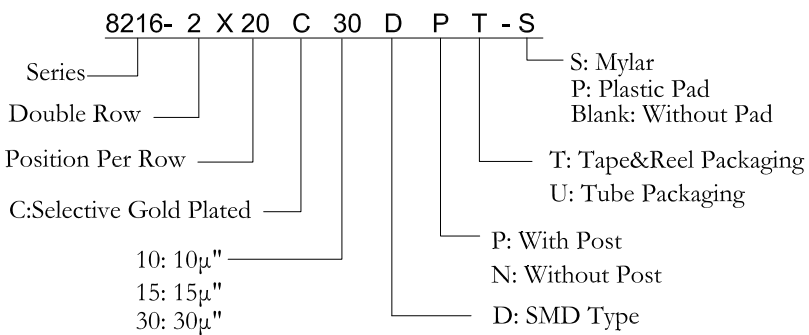
Current Rating: 2.5 AMP.
Dielectric Withstanding Voltage: AC 500V For 1 minute.
Insulator Resistance: 5000MΩ min. at DC 500V.
Contact Resistance: 5.8mΩ max. at DC 100mA.
Operating Temperature: -55°C~+125°C.

***Data Rate: 28Gbps NRZ. / 56Gbps PAM4.**
***RoHS Compliant**

Mates With: 2.36±0.05mm Thick Edge Card.

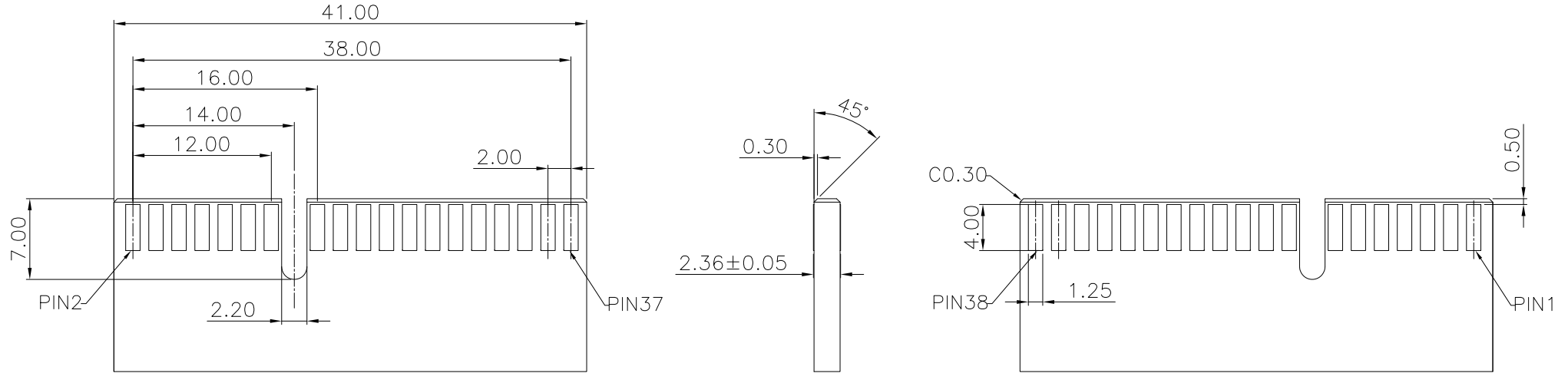


P.C. Board Layout
(Tolerance ±0.05)


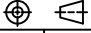


Tolerances x = ±0.50 .x = ±0.25 .xx = ±0.15	Dwg. No.	8216-D0000-001		Title:		 OUPIIN ELECTRONIC(KUNSHAN) CO., LTD. P/N: 8216-2X20C30DPT-S			
	Projection			8216 Series Edge Card Connector 2.0mm (0.0787") Pitch SMD Type					
	Unit	mm	Scale	1:1		SHEET	1/2	Ver.No.	R5
	Drawn By	GYJ 01/18'24							

REV.	SPECIFICATION	ECN NO.	APPD.
R5		ECN2401--	



Recommended Card Layout
(Tolerance ±0.05)

Tolerances x = ±0.50 .x = ±0.25 .xx = ±0.15	Dwg. No.	8216-D0000-001		Title: 8216 Series Edge Card Connector 2.0mm (0.0787") Pitch SMD Type	 OUPIIN ELECTRONIC(KUNSHAN) CO., LTD.			
	Projection							
	Unit	mm	Scale		1:1	SHEET	2/2	Ver.No.
Drawn By	GYJ 01/18'24							