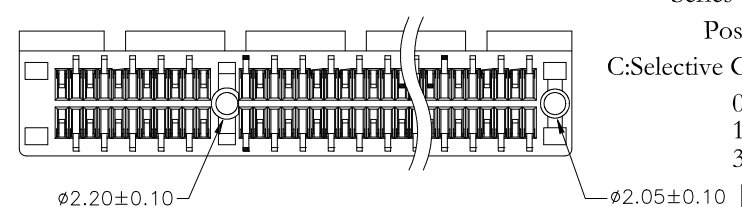
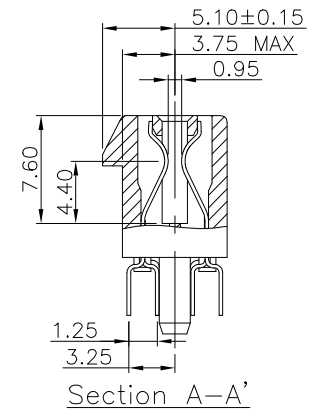
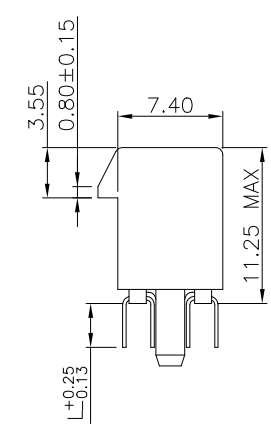
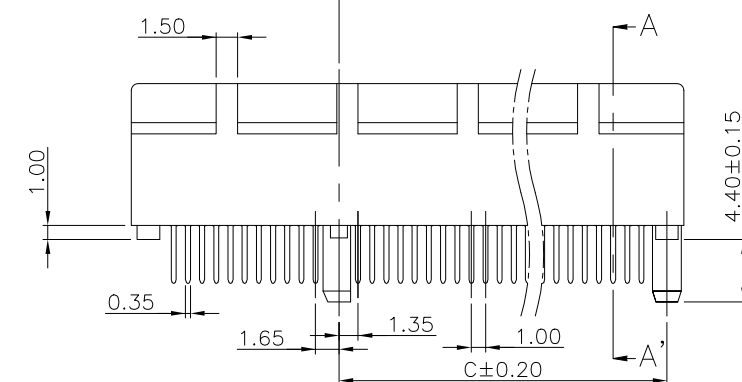
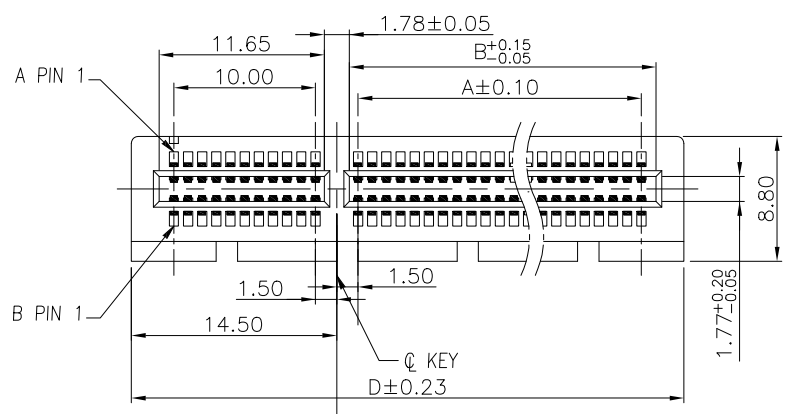


REV.	SPECIFICATION	ECN NO.	APPD.



8406-C xx C 00 S -2.3 A

Series: 8406-C  
 Positions: xx  
 C: Selective Gold Plated  
 00: Gold Flash  
 15: 15u"  
 30: 30u"

S: Straight  
 -2.3: L for 2.3  
 Blank: L for 3.1  
 A: Tray Package

**Material:**  
**Housing:** PA9T, UL94V-0, Black.  
**Contacts:** Phosphor Bronze, Gold Plated on Contact Area and 100u" Matte Tin Plated on Solder Tail Area over 50u" Nickel.

**Electrical Characteristics:**  
**Current Rating:** 1.1A.  
**Dielectric Withstanding Voltage:** AC 500V.  
**Insulation Resistance:** 1000MΩ min.  
**Contact Resistance:** 30mΩ max.  
**Operating Temperature:** -40°C~+85°C.  
**\*RoHS Compliant**

DIMENSIONS				
POSITION	A	B	C	D
36	6	7.65	9.15	25.00
64	20	21.65	23.15	39.00
98	37	38.65	40.15	56.00
164	70	71.65	73.15	89.00

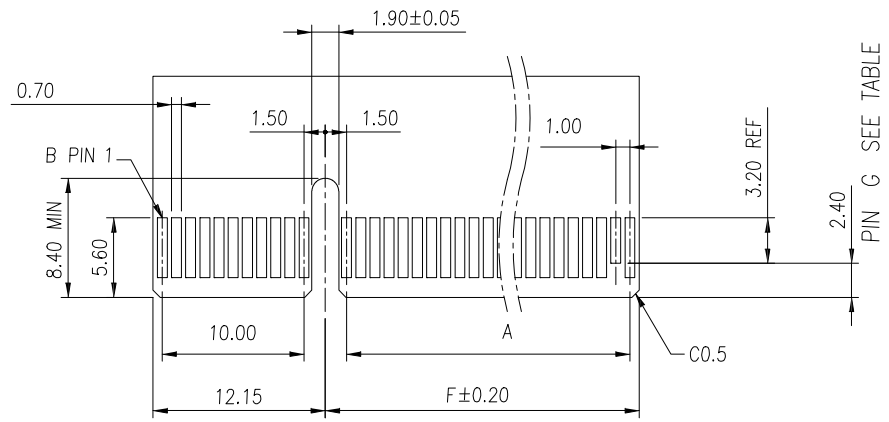
Tolerances	Dwg. No.	S1820230621-01		Title:	8406-C Series	
x. = ±0.40	Projection	⊕ ⊖			PCI Express	
.x = ±0.30	Unit	mm	Scale	1:N	Pitch 1.0mm	
.xx = ±0.20	Drawn By	Martin 06/21'23		Ⓟ 716	Straight Type	
.xxx = ±0.10						

8406-C Series  
 PCI Express  
 Pitch 1.0mm  
 Straight Type

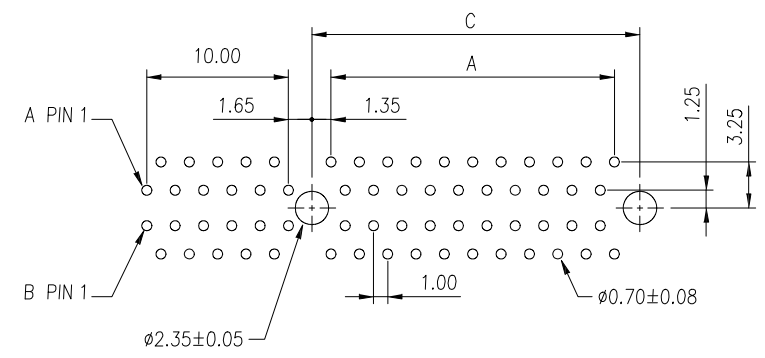
**OUPIN**  
 OUPIN ELECTRONIC(KUNSHAN) CO., LTD.  
 P/N: 8406-CxxC00S-2.3A

SHEET	1/3	Ver.No.	X1
-------	-----	---------	----

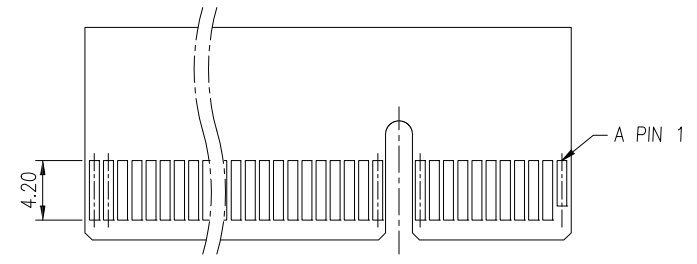
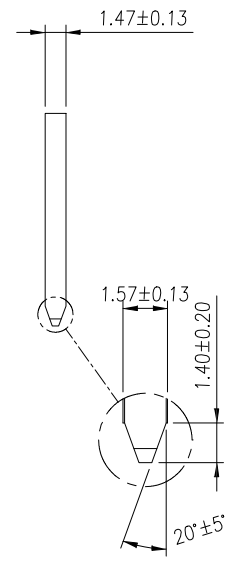
REV.	SPECIFICATION	ECN NO.	APPD.



I/O PANEL DIRECTION  
PRIMARY (COMPONENT) SIDE



RECOMMENDED PCB LAYOUT  
TOLERANCE: ±0.05



I/O PANEL DIRECTION  
SECONDARY (SOLDER) SIDE  
ADD-IN CARD EDGE-FINGER DIMENSIONS

DIMENSIONS				
POSITIONS	A	C	F	G
36	6	9.15	8.15	B PIN 17
64	20	23.15	22.15	B PIN 31
98	37	40.15	39.15	B PIN 48
164	70	73.15	72.15	B PIN 81

Tolerances	Dwg. No.	S1820230621-01	
x. = ±0.40	Projection		
.x = ±0.30	Unit	mm	Scale
.xx = ±0.20	Scale	1:N	
.xxx = ±0.10	Drawn By	Martin 06/21'23	

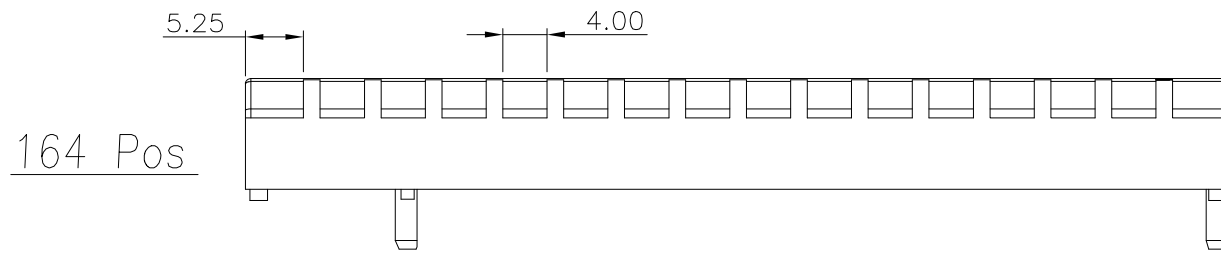
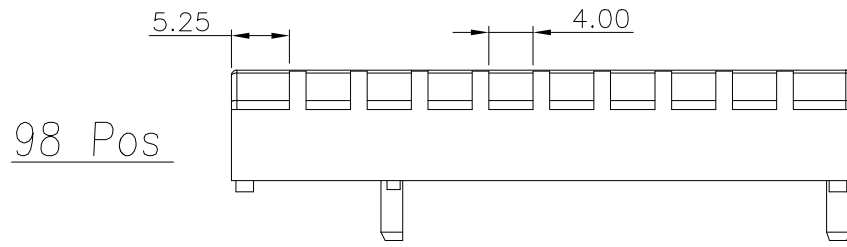
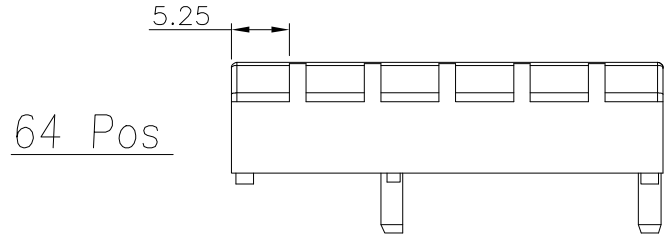
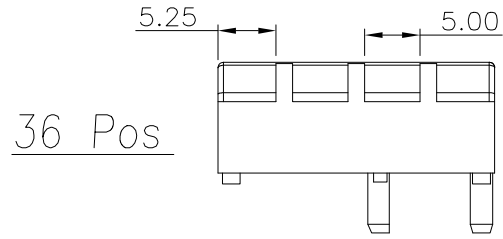
Title: 8406-C Series  
PCI Express  
Pitch 1.0mm  
Straight Type

**OUPIIN**  
OUPIIN ELECTRONIC(KUNSHAN) CO., LTD.  
P/N: 8406-CxxC00S-2.3A

SHEET	2/3	Ver.No.	X1
-------	-----	---------	----

① 716

REV.	SPECIFICATION	ECN NO.	APPD.



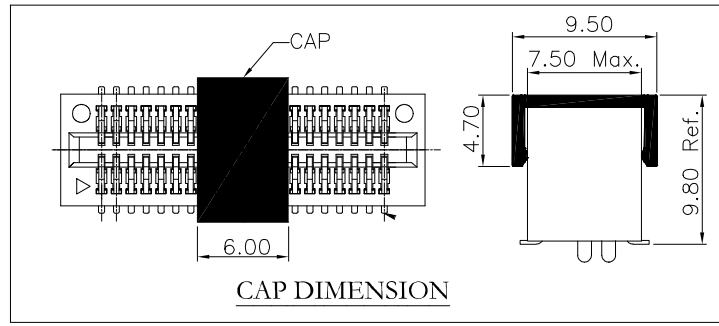
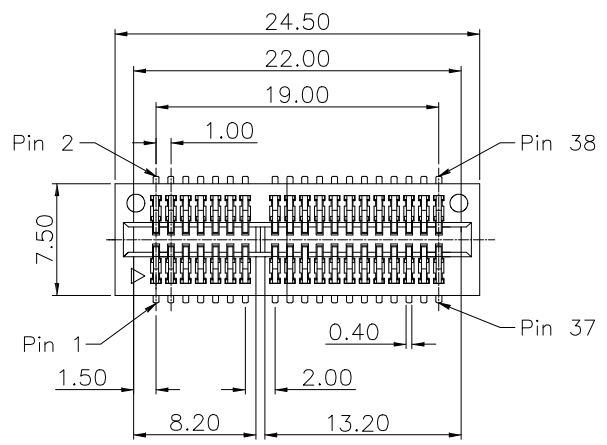
<b>Tolerances</b> x. = ±0.40 .x = ±0.30 .xx = ±0.20 .xxx = ±0.10	<b>Dwg. No.</b>	S1820230621-01	
	<b>Projection</b>		
	<b>Unit</b>	<i>mm</i>	<b>Scale</b> 1:N
	<b>Drawn By</b>	Martin 06/21'23	

**Title:** 8406-C Series  
 PCI Express  
 Pitch 1.0mm  
 Straight Type

<b>OUPIIN</b>			
OUPIIN ELECTRONIC(KUNSHAN) CO., LTD.			
P/N: 8406-CxxC00S-2.3A			
SHEET	3/3	Ver.No.	X1

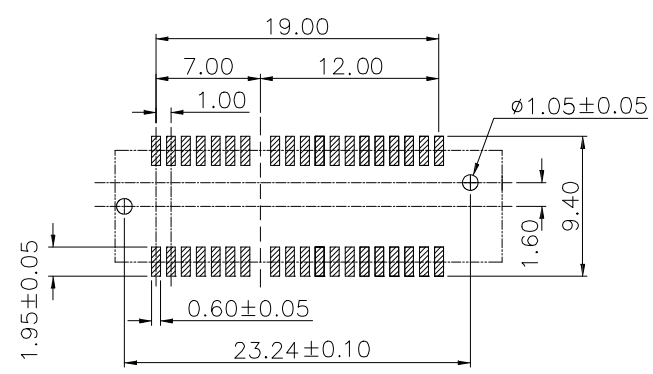
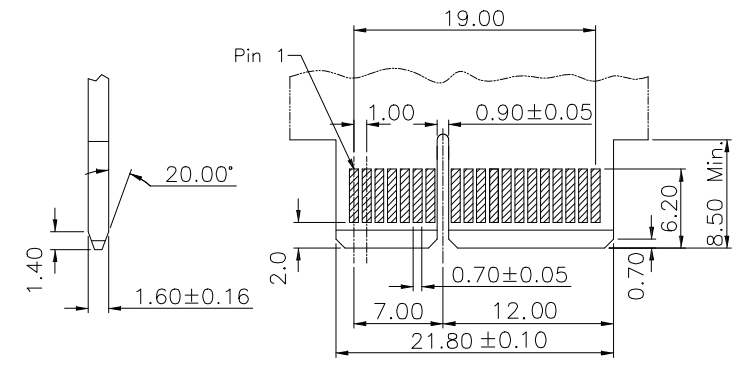
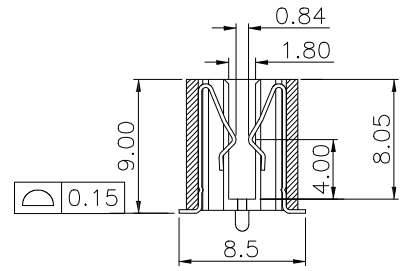
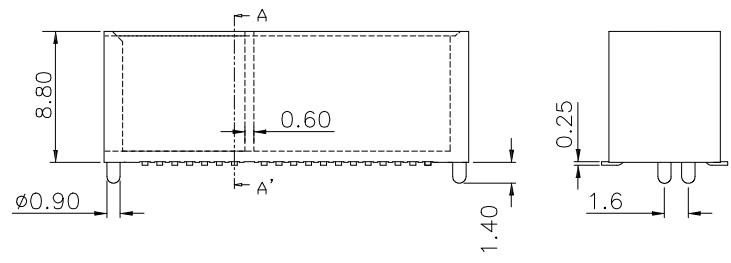
① 716

REV.	SPECIFICATION	ECN NO.	APPD.



**Material:**  
**Housing:** LCP, UL94V-0.  
**Contacts:** Phosphor Bronze, Gold Plated on Contact Area and 100u" Matte Tin Plated on Solder Tail over Nickel 50u".

**Electrical Characteristics:**  
**Current Rating:** 1.1A.  
**Dielectric Withstanding Voltage:** AC 500V.  
**Insulation Resistance:** 1000MΩ min.  
**Contact Resistance:** 30mΩ max.  
**Operating Temperature:** -55°C~+105°C.  
**\*RoHS Compliant**



**P.C. Board Layout**

**Section A-A'**

**Recommended Application PCB Layout**

**8406- 2 X 19 C 00 D P 1 T -P**

Series ——— 8406-  
Double Row ——— 2 X  
Position Per Row ——— 19  
C: Selective Gold Plated  
00: Gold Flash  
D: SMD Type  
P: Plastic Pad  
Blank: Without Pad  
T: Tape & Reel Package  
1: With Front Key  
P: With Post

Tolerances	Dwg. No.	8406D02006	Title:		 <b>OUPIN ELECTRONIC(KUNSHAN) CO., LTD.</b> P/N: 8406-2X19C00DP1T-P SHEET 1/1 Ver. No. A7
x = ±0.50	Projection		8406 Series		
.x = ±0.25	Unit	mm	Scale	1:1	
.xx = ±0.10	Drawn By	Martin 09/19'23	Edge Card Connector 1.0mm Pitch SMD Type		
① 542					