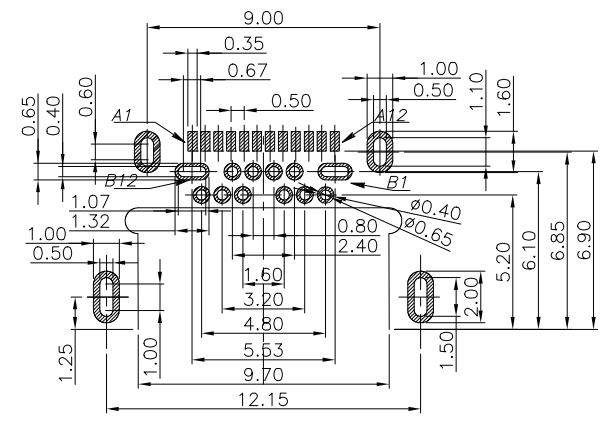
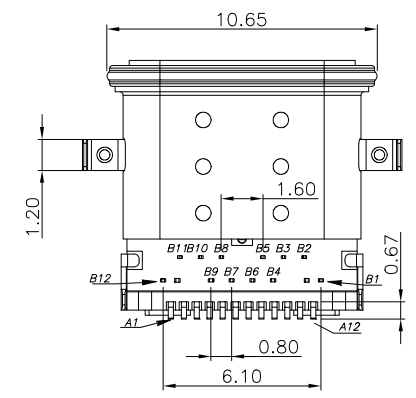
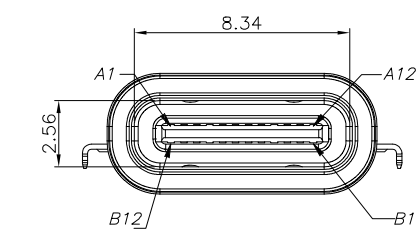
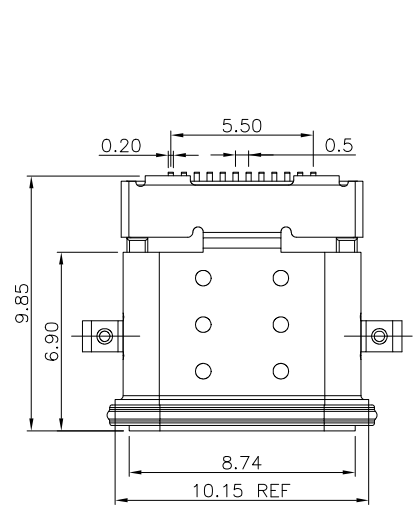
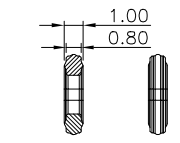
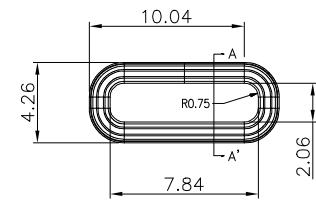
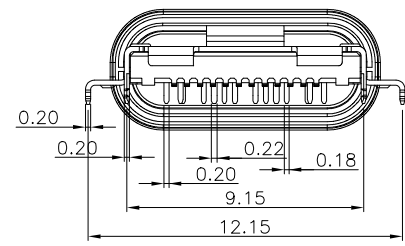
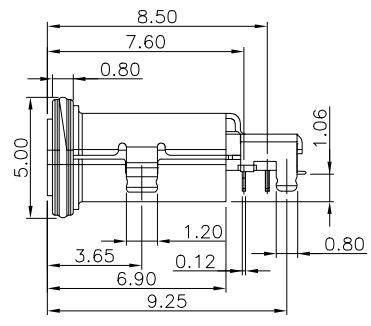


REV.	SPECIFICATION	ECN NO.	APPD.



PCB LAYOUT



O-Ring(Silicon)

8975WP- C 24 C 00 RD B 13 N T
 Series —————
 Type C —————
 Positions —————
 C: Selective Gold Plated
 00: Gold Flash
 RD: RA, Solder+SMD
 B: Black
 Type 13
 N: Without Post
 Tape & Reel Package

PIN	SIGNAL NAME	PIN	SIGNAL NAME
A1	GND	B12	GND
A2	SSTXP1	B11	SSRXP1
A3	SSTXN1	B10	SSRXN1
A4	VBUS	B9	VBUS
A5	CC1	B8	SBU2
A6	DP1	B7	DN2
A7	DN1	B6	DP2
A8	SBU1	B5	CC2
A9	VBUS	B4	VBUS
A10	SSRXN2	B3	SSTXN2
A11	SSRXP2	B2	SSTXP2
A12	GND	B1	GND

Tolerances	Dwg. No.	S3220220301-03
0~5 = ±0.2 5~15 = ±0.3 15~30 = ±0.4 30~50 = ±0.5	Projection	
Unit mm	Scale	1:N
Drawn By	Martin 07/27'22	① 654

Title: 8975WP Series
 USB 3.1 C Type
 Receptable Right Angle
 Solder+SMD Mid-Mount Type
 WaterProof

OUPIN			
OUPIN ELECTRONIC(KUNSHAN) CO., LTD.			
P/N: 8975WP-C24C00RDB13NT			
SHEET	1/1	Ver.No.	X2